

BLANCO

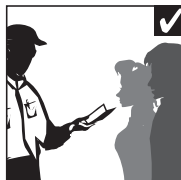
STEELART

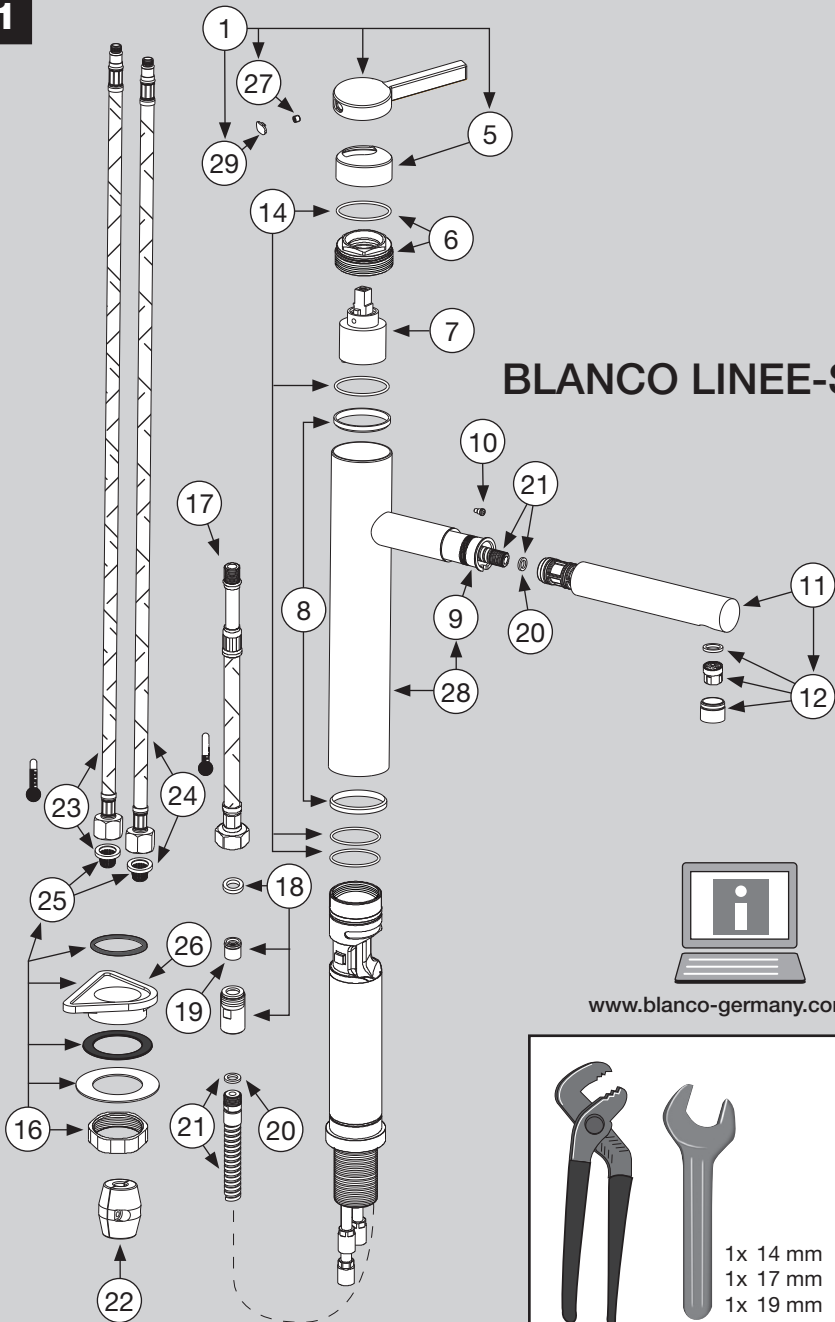
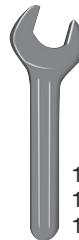
BLANCO LINEE-S HD



≤ 70°C
≤ 158°F

≤ 10 bar
≤ 145 psi

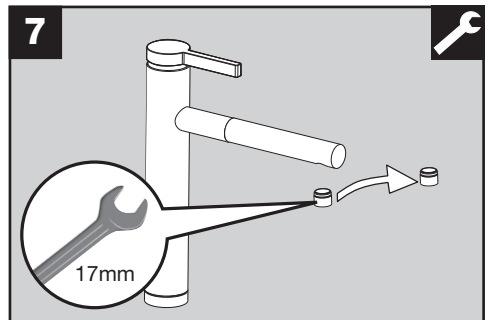
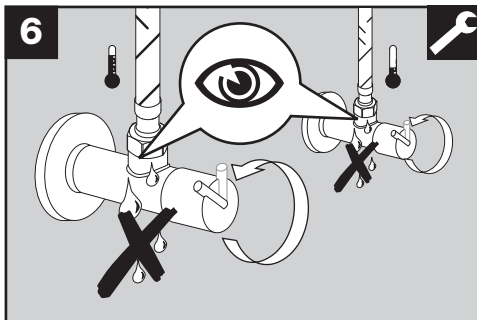
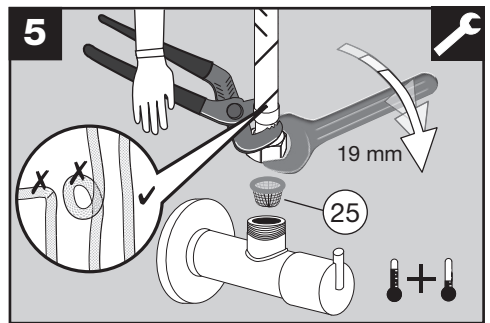
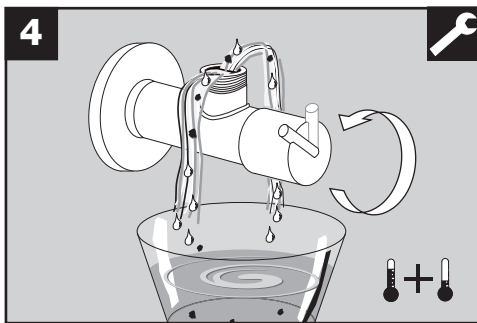
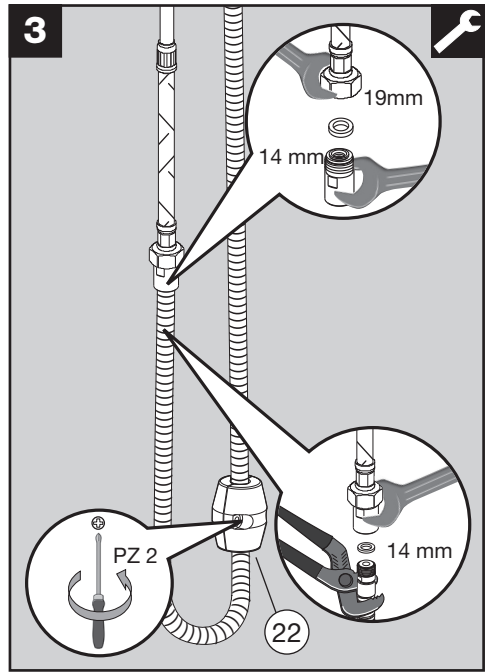
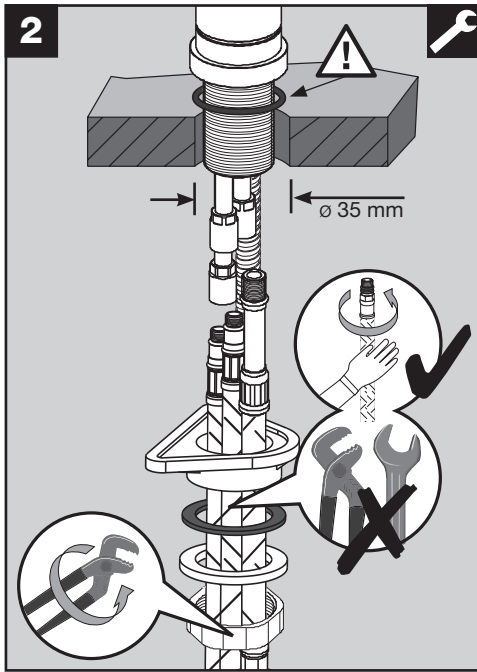


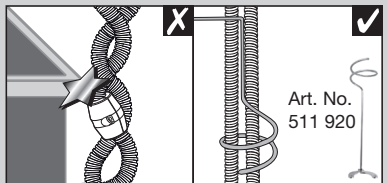
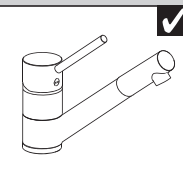
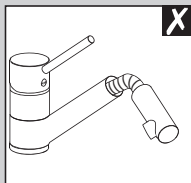
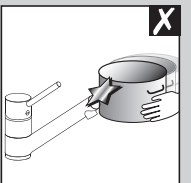
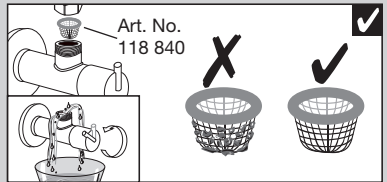
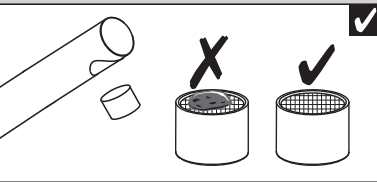
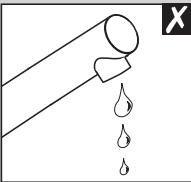
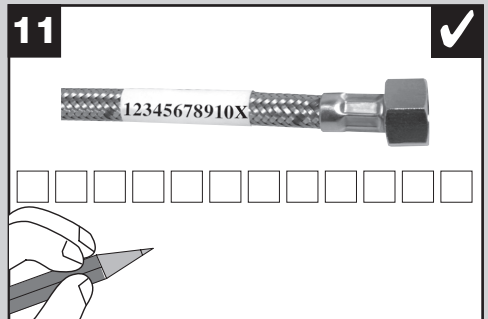
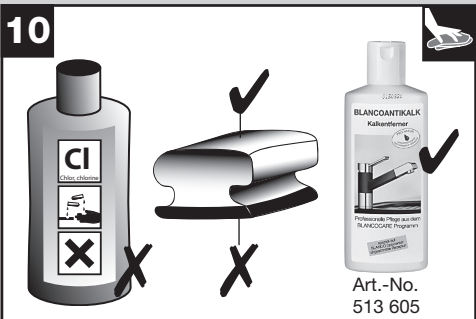
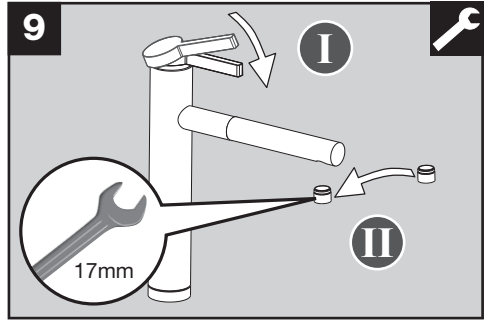
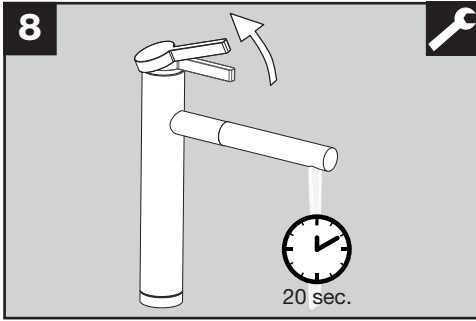
1**BLANCO LINEE-S HD**www.blanco-germany.com/sos

⊕ PZ 2



1x 14 mm
 1x 17 mm
 1x 19 mm





BLANCO

BLANCO GmbH + Co KG
Service
Tel.: +49 7045 44-81 419
info@blanco-germany.com
www.blanco-germany.com