

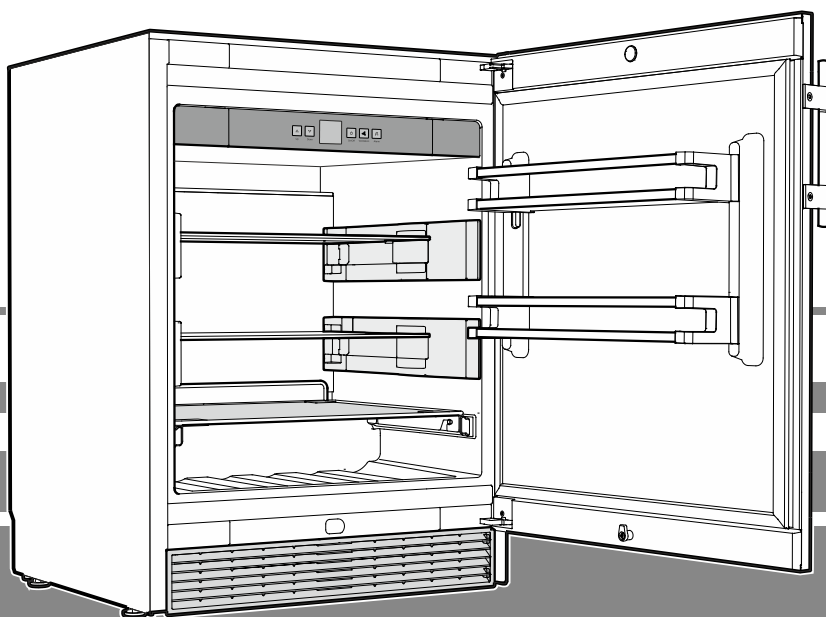
# Original operating instructions

Beverage cooler

Read the operating instructions before switching on for the first time

Page 14

EN



OKes 1750




**7084 980-00**

**LIEBHERR**

## Content

Priority of warnings.....	14
Safety instructions and warnings .....	14
Symbols on the appliance .....	15
Intended use.....	15
Foreseeable incorrect use.....	15
Declaration of conformity .....	15
Noise emissions from the appliance .....	15
EPREL database .....	15
Climate class .....	16
Description of the appliance.....	16
Setting up .....	16
Electrical connection.....	16
Operating and control elements .....	17
Switching the appliance on and off .....	17
Setting the temperature.....	17
Door open alarm.....	17
Temperature alarm .....	17
Setup mode .....	17
Cooling .....	18
Humidity function .....	18
Safety lock.....	18
Equipment .....	18
Cleaning .....	19
Storing the appliance out of season.....	20
Shutting the appliance down .....	20
Disposal notes.....	20
Malfunctions.....	21
Additional information:.....	21
Supplied Accessories .....	21
Levelling the appliance.....	21
Appliance dimensions .....	22
Installation dimensions.....	22
Mounting the dust filter .....	22
Air circulation in the appliance plinth area.....	22
Mounting the ventilation grille.....	22
Changing Over Door Hinges .....	23

## Priority of warnings




 <b>DANGER</b>	identifies a situation involving direct danger which, if not obviated, may result in death or severe bodily injury.
 <b>WARNING</b>	identifies a dangerous situation which, if not obviated, may result in death or severe bodily injury.
 <b>CAUTION</b>	identifies a dangerous situation which, if not obviated, may result in minor or medium bodily injury.
<b>NOTICE</b>	identifies a dangerous situation which, if not obviated, may result in damage to property.
<b>Note</b>	identifies useful information and tips.

## Safety instructions and warnings

- **WARNING:** do not seal ventilation openings on the appliance housing or enclosure.
- **WARNING:** only use the mechanical devices or other aids recommended by the manufacturer to help speed up the defrosting process.
- **WARNING:** do not damage the refrigerant circuit.
- **WARNING:** do not use any electrical devices in the refrigerator compartment which do not comply with the design recommended by the manufacturer.
- **WARNING:** the mains cable must not be damaged while installing the appliance.
- **WARNING:** multi-sockets or distributor strips and other electronic devices (such as halogen transformers) must not be positioned and operated at the rear of appliances.
- **WARNING:** danger of injury through electric shock. There are live parts under the cover. Only have the interior LED light replaced or repaired by customer service staff or trained personnel.
- **WARNING:** risk of injury from the LED lamp. The light intensity of the LED light complies with laser class RG 2. If the cover is defective, do not look directly at the light through optical lenses from close distance. This may damage your eyes.
- **WARNING:** this appliance must be secured as described in the operating instructions to rule out any potential risks due to its instability.
- This appliance can be used by children of 8 years old and over, and also by persons with restricted physical, sensory or mental capacity or lack of experience and knowledge, if they are supervised or have been instructed on safe use of the appliance and understand the resulting risks. Children must not be allowed to play with the appliance. Cleaning and user maintenance must not be carried out by children without supervision.
- Do not store any explosive substances, such as aerosol containers with flammable propellant gas, inside the appliance.
- To prevent injury and damage to property, the appliance should only be installed by two people.
- After unpacking it, check the appliance for signs of damage. Contact the supplier if it is damaged. Do not connect the appliance to the mains power supply.
- Avoid prolonged skin contact with cold surfaces (e.g. chilled/frozen products). If necessary, take safety action (e.g. gloves).

- All repairs and work on the appliance may only be carried out by customer service personnel or other trained personnel. The same applies to changing the mains power cable.
- Only carry out repair and other work on the appliance when the mains plug has visibly been disconnected.
- Only install, connect and dispose of the appliance as described in these operating instructions.
- In the event of a fault, pull out the plug or switch off the fuse.
- When disconnecting the appliance from the mains, pull on the plug. Do not pull on the cable.
- Ensure that food which has been stored for too long is not consumed. Dispose of food which has been stored for too long properly.
- Do not use the interior LED light to light the room. The interior LED light is only designed to illuminate the interior of the appliance.
- Do not allow naked flames or ignition sources to enter the appliance.
- Alcoholic drinks or other vessels containing alcohol should be sealed tightly for storage.

## Symbols on the appliance

	The symbol can be located on the compressor. It refers to the oil in the compressor and indicates the following danger: swallowing or inhaling can be fatal. This is only relevant for recycling. There is no danger in normal operation.
	Warning about inflammable substances.
	A sticker to this effect may be applied to the rear of the appliance. It refers to the foampadded panels in the door and/or the housing. This is only relevant for recycling. Do not remove the sticker.

## Intended use

This refrigeration appliance is designed for storing chilled food. It is **not** designed for the presentation of food or for the removal of food by customers.

The appliance may be used in a covered outdoor area protected from sunlight, rain and stormy weather and is suitable for the following configurations:

- as an under worktop appliance
- as a free-standing appliance

## Foreseeable incorrect use

Do not use the appliance for the following applications:

- Storage and cooling of
  - chemically unstable, inflammable or caustic substances
  - blood, plasma or other bodily fluids for the purposes of infusion, application or insertion into the human body.
- Use in potentially explosive atmospheres.
- Use outdoors or in areas where it is exposed to splash water or damp conditions.

Incorrect use of the appliance will result in damaging or spoiling the goods stored in it.

## Declaration of conformity

The refrigerant circuit has been tested for leaks. The appliance complies with the relevant safety regulations and EU Directives 2006/42/EG, 2014/30/EU, 2009/125/EG and 2011/65/EU.

## Noise emissions from the appliance

The noise level while the appliance is operating is below 70 dB(A) (relative noise level 1 pW).

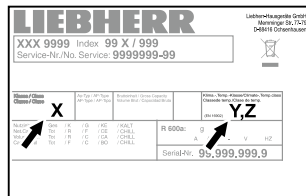
## EPREL database

As from 1 March 2021, information about energy labelling and ecodesign requirements will be available in the European product database (EPREL). You can access the product database using the following link: <https://eprel.ec.europa.eu/>. You will be asked to enter the model identifier. You will find the model identifier on the type plate.

## Climate class

The climate class [X] specifies the ambient conditions in which the appliance can be operated safely.

The climate class [Y] and temperature class [Z] define the maximum outline conditions in which the appliances will operate perfectly.



The climate rating is indicated on the type plate.

[X] Climate class	Max. room temperature	Max. relative humidity
3	25 °C	60 %
4	30 °C	55 %
5	40 °C	40 %
7	35 °C	75 %

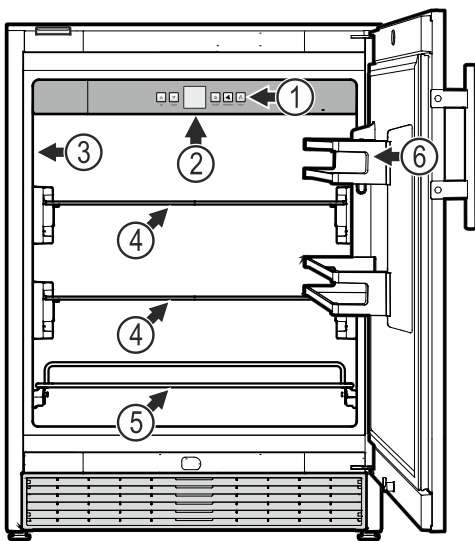
The minimum room temperature at the place of installation is 10°C.

[Y] Climate class	Temperature [°C]	Relative humidity [%]
CC1	25,0	60
CC2	32,2	65
CC3	40,6	75

Recommended temperature setting:

[Z] Temperature class	Temperature setting [°C]
K1	3,5
K2	2,5
K3	-1,0
K4	+5,0

## Description of the appliance



- (1) Operating and control elements
- (2) Interior light (LED light strip)
- (3) Type plate
- (4) Adjustable shelves
- (5) Pull-out shelf
- (6) Adjustable door rack

## NOTICE

The maximum load per storage shelf (4) is 15 kg.

The maximum load per pull-out shelf is 15 kg.

The maximum load per door rack is 10 kg.

## Setting up

The appliance is intended for outdoor use.

## NOTICE

At the installation site, the area for the appliance, and particularly for the mains cable, must be protected from water accumulation or extreme weather conditions.

- Do not place the appliance in direct sunlight or near cookers, radiators and similar sources of heat.
- Do not place heat-emitting appliances, e.g. microwave oven, toaster, etc., on top of the appliance.
- The more coolant there is in the appliance, the larger the room in which the appliance is installed must be. If the room is too small, any leak may create a flammable mixture of gas and air. For each 8 g of coolant the installation space must be at least 1 m<sup>3</sup>. Information on the coolant is on the model plate inside the appliance.

## Electrical connection

### ⚠ WARNING

Danger of electric shock!

Danger of fire caused by moisture!

If live parts or the mains power cable become damp, a short-circuit may occur.

The socket to which the appliance is connected must feature an RCCB (residual-current-operated circuit-breaker).

Only operate the appliance with **alternating current (AC)**.

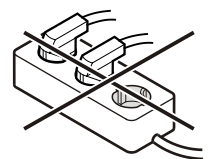
The permissible voltage and frequency are indicated on the type plate. The position of the type plate is shown in the section entitled **Description of the appliance**.

The socket must be properly earthed and protected by a fuse. The tripping current of the fuse must be between 10 A and 16 A.

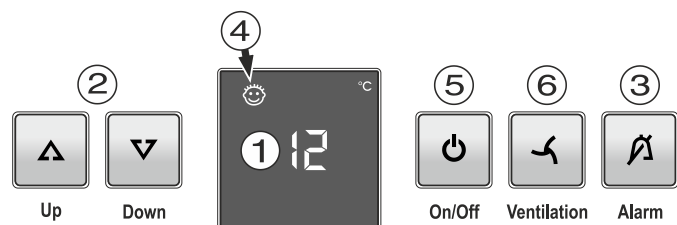
The socket must not be situated behind the appliance and must be easily accessible.

Do not connect the appliance using an extension cable or extension socket.

Do not use stand-alone inverters (conversion of direct current to alternating current/three-phase current) or energy-saving plugs. Risk of damage to the electronic control system!




## Operating and control elements



- ① Temperature display (display)
- ② Temperature setting buttons
- ③ Audible warning on/off button
- ④ Child lock activated symbol
- ⑤ On/Off button
- ⑥ Fan button

## Switching the appliance on and off

### Switching the appliance on

Press the **On/Off** button until the temperature display lights up. 

### Switching the appliance off

Keep the **On/Off** button pressed for approx. 3 seconds so that the temperature display goes out.

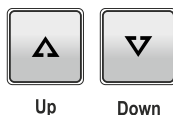
### Note

If the On/Off button is held down for a further 3 seconds after the temperature display has gone out, the appliance is switched on again.

## Setting the temperature

### To increase the temperature

Press the **Up** button.



### To reduce the temperature

Press the **Down** button.

- When pressing one of the buttons for the first time, the display will start to flash.
- Pressing this button again enables you to change the temperature setting.
- The electronic controls will switch over automatically about 5 seconds after the last time you pressed the button, and the actual temperature will be displayed.


### Note

The temperature in the warmest area of the interior may be higher than the temperature setting.

If the door is left open for a lengthy period, the temperature in the appliance's compartments may rise dramatically.

## Door open alarm

If the door is left open for more than 180 seconds, the audible warning signal will sound.

If the door must be opened for a lengthy period to place items into the appliance, cancel the audible warning signal by pressing the **Alarm** button. 

The alarm switches back to standby when the door is shut.

## Temperature alarm

If the temperatures in the interior are out of the permitted range, the audible warning signal will sound and the temperature display will flash.

After a lengthy power failure, the temperature in the interior may have risen to too high a level. After the power supply returns, the fall in temperature can be watched on the display.

- Cancel the audible warning signal by pressing the **Alarm** button.

The temperature display will stop flashing as soon as the temperature in the interior has reached the set value.

### Temperature alarm after a fault in the appliance

If the appliance develops a fault, the temperature in the interior may rise too high or fall too low. The audible warning signal will sound and the temperature display will flash.

If the temperature displayed is too high (warm), first check whether the door is closed correctly.

If the temperature display continues to show a value that is too high or too low after one hour, contact the customer service department.


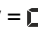
- Cancel the audible warning signal by pressing the **Alarm** button.

## Setup mode

In setup mode, you can set the child lock and adjust the brightness of the display.

The child lock is designed to protect the appliance from being switched off accidentally.


### Activating the child lock

Press  for 5 seconds. Display = 



Press  Display = 

Press  Display = 

Press  Display = 

Press  The child lock is activated.

### Deactivating the child lock

Press  for 5 seconds. Display = 

Press  Display = 

Press  Display = 

Press  Display = 

Press  The child lock is deactivated.

## Cooling

### NOTICE


Store raw meat or fish in clean sealed containers on the bottom shelf of the refrigerator/freezer compartment so that it cannot come into contact with any other food or drip liquid onto it.

A failure to follow these instructions may result in the food being spoilt.

## Humidity function

Certain foods must be stored in a humid atmosphere (e.g. baked goods). To prevent such foods from drying out, the humidity function must be activated.

### To switch on

Press the fan button - the symbol  lights up.



Ventilation

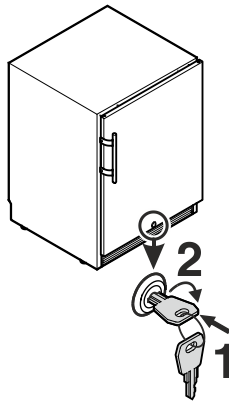
## Safety lock

The lock in the appliance door is equipped with a safety mechanism.

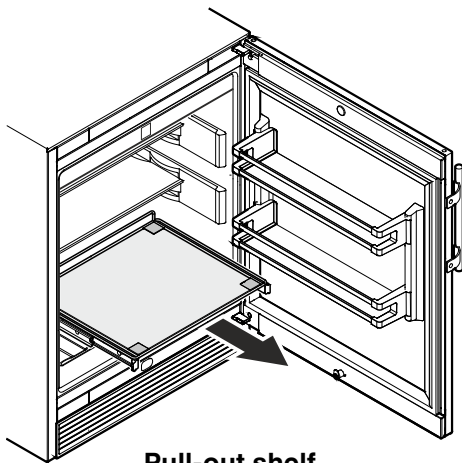
### Locking the appliance

- Insert the key as shown by arrow 1.
- Turn the key 90°.

To unlock the appliance, the same procedure must be repeated in the same order.

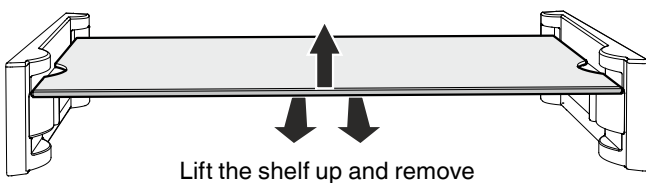


## Equipment



Pull-out shelf

### Repositioning the shelves

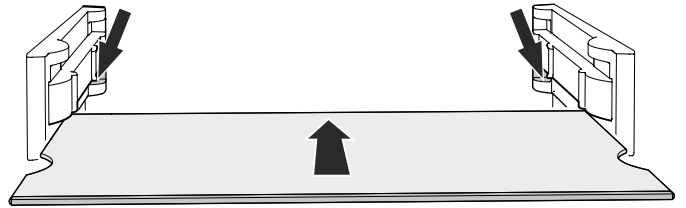


Lift the shelf up and remove

Insert the shelf in the bottom channel of the supports.

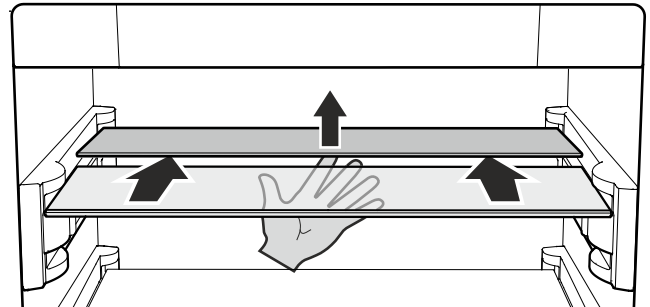
Be sure the rear angles of the shelf rests on the marked areas of the supports.

Do not place the shelf on the top of the supports.



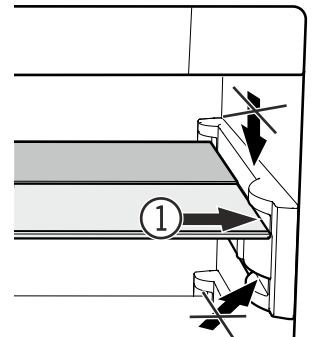
### Using the sectioned shelf

If you need to make space for tall containers, simply carefully slide the front half of the sectioned glass shelf underneath the back half.



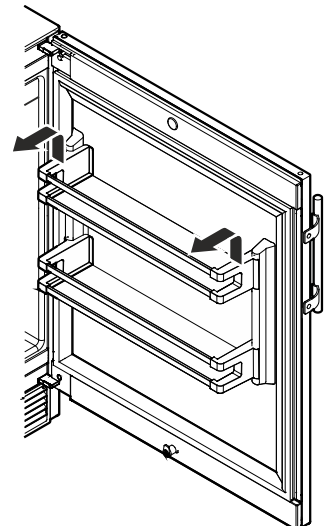
(1) The sectioned glass shelf may only be inserted in the top channel of the supports.

Do not insert the sectioned shelf above or below it.



### Adjustable Door Rack

Lift door rack vertically, lift out to the front and re-insert at a different height, following these steps in the reverse order



## Cleaning

### ⚠ WARNING

Before cleaning, always disconnect the appliance from the mains. Pull out the plug or switch off the fuse.

### ⚠ CAUTION

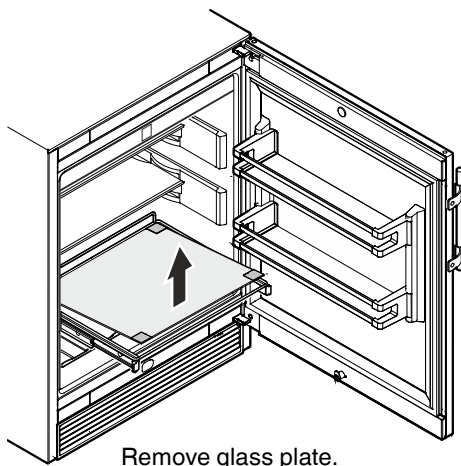
Risk of damage to the appliance components and risk of injury due to hot steam.

Do not use steam cleaning equipment to clean the appliance.

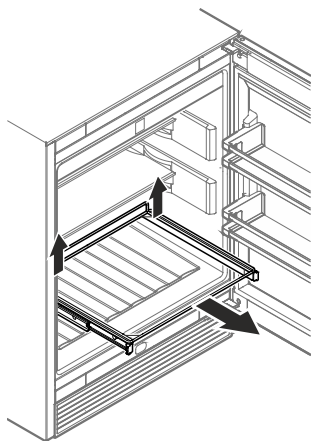
### NOTICE

Surfaces which may come into contact with food and accessible drain systems must be cleaned at regular intervals.

- Remove the food from the appliance and store in a cool place.
- Remove the shelves and door racks.  
Refer to chapter **Equipment**.



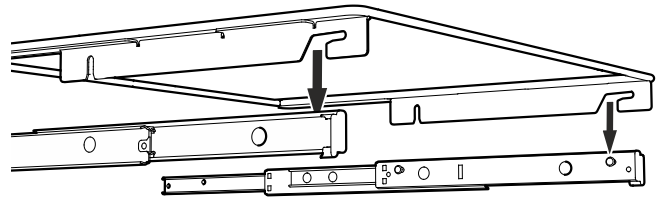
Remove glass plate.



Pull the pull-out shelf upwards on the right and left at the back (release) and then remove it towards you.

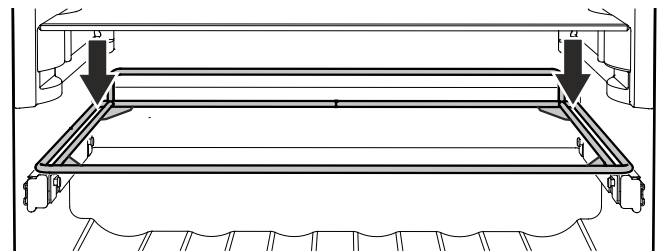
- Clean the inside, equipment parts and outer walls with lukewarm water and a little detergent. Do not use chemical solvents or any cleaning agents containing sand or acid.
- Ensure that no cleaning water penetrates into the electrical components or ventilation grille.
- Dry all parts well with a cloth.
- Do not damage or remove the type plate on the inside of the appliance. It is very important for servicing purposes.

### Inserting the pull-out shelf



Extend the pull-out rails as far as they will go. Place the front recesses of the shelf on the securing pins.

Slide the shelf together with the pull-out rails into the appliance as far as they will go.

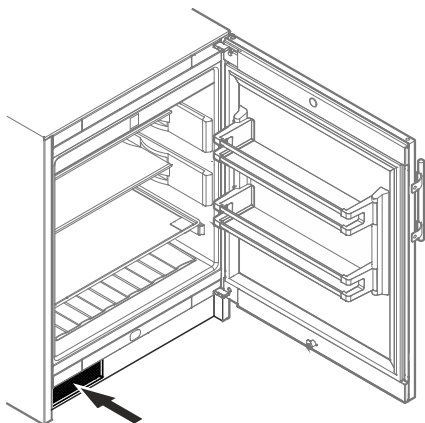
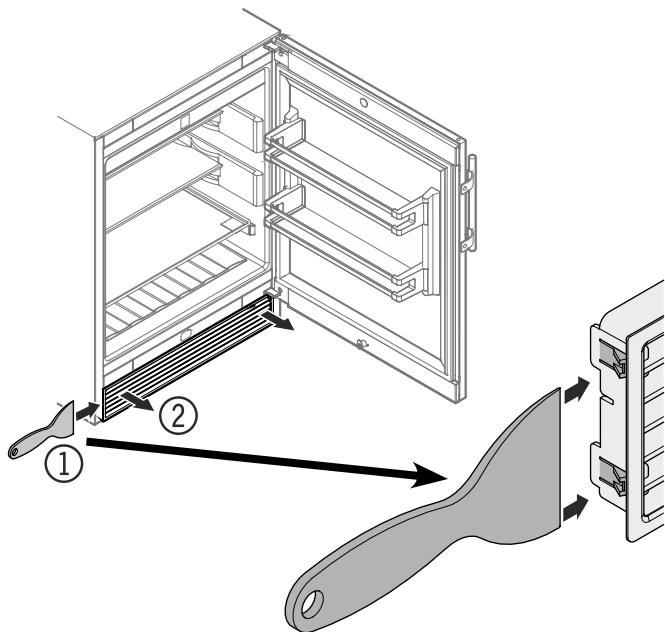


Push the shelf downwards on the right and left at the back and click into place.

Install all equipment parts and replace the food in the appliance.

### Cleaning the dust filter

The dust filter in the appliance plinth must be cleaned at least once a year.



- Clean the dust filter using a vacuum cleaner.
- Click the ventilation grille back into place.

### Storing the appliance out of season

#### Shutting the appliance down

##### If the appliance is to be left outdoors for the whole year

The ambient temperature must not fall below 0°C at any time during the year and the appliance must be in an area protected from extreme weather conditions.

##### In the event of a lengthy absence

- Remove the food from the appliance.
- Pull out the mains plug.
- Clean the appliance.
- Close the appliance door.
- Connect the appliance to the mains.
- Set the internal temperature to the highest (warmest) value of 14°C. The appliance continues to operate.

##### If the appliance is switched off for a lengthy period of time

- Remove the food from the appliance.
- Pull out the mains plug.
- Clean the appliance.
- Store the appliance in an enclosed area and leave the door of the appliance open to prevent odours forming.

### NOTICE

Do not store the appliance outdoors with the door open as small animals or insects may get into it.

### Disposal notes

The appliance contains reusable materials and should be disposed of properly - not simply with unsorted household refuse. Appliances which are no longer needed must be disposed of in a professional and appropriate way, in accordance with the current local regulations and laws.



Do not damage the refrigerant circuit of an appliance that is no longer needed during its disposal.

This appliance contains inflammable gases in the refrigerant circuit and insulation foam.

Your local council or a waste disposal contractor can provide information about how to dispose of the appliance correctly.



## Malfuncions

### • F1 appears in the display.

- The appliance has suffered a fault. Contact the customer service department.

**You may be able to rectify the following faults by checking the possible causes yourself:**

### • Appliance does not function:

- Is the appliance switched on?
- Is the plug correctly fitted in the mains socket?
- Is the fuse intact?

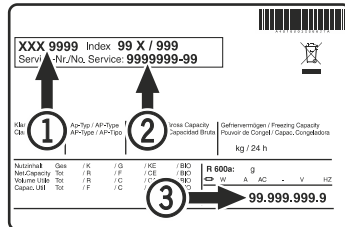
### • When inserting the mains plug, the refrigeration unit does not switch on, but a value is shown in the temperature display.

- Demo mode is activated.  
Contact the customer service department.

### • The temperature is not low enough:

- Is the temperature setting correct (see "Setting the temperature")?
- Does the separately installed thermometer show the correct reading?
- Is the ventilation system working properly?
- Is the appliance set up too close to a heat source?

If none of the above causes apply and you cannot rectify the fault yourself, contact the nearest customer service department stating the type designation ①, service number ② and appliance number ③ as indicated on the type plate.

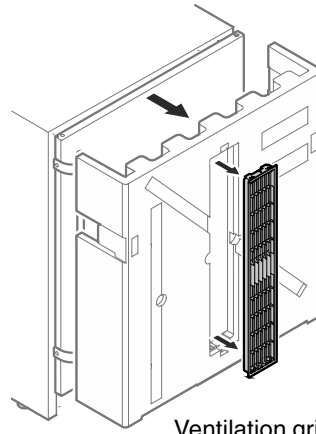


The position of the type plate is shown in the section entitled **Description of the appliance.**

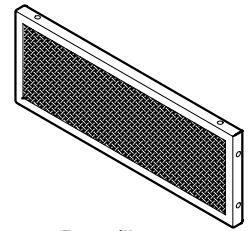
## Additional information:

- Food will remain fresh for longer if stored at the correct temperature. This can prevent having to discard food needlessly.
- If the condenser coil is not cleaned every year, it will significantly reduce the appliance's efficiency.
- The period during which spare parts, necessary for the repair of the refrigerating appliance with a direct sales function, are available is 10 years.
- The minimum duration of the guarantee of the refrigerating appliance with a direct sales function offered by the manufacturer, importer or authorised representative is 2 years.

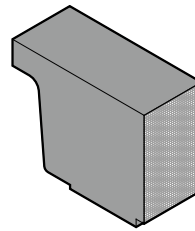
## Supplied Accessories



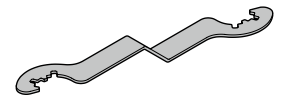
Ventilation grille



Dust filter



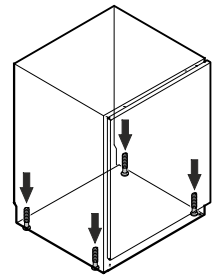
Foam block for ventilation duct in appliance base



Wrench to adjust the height of the appliance

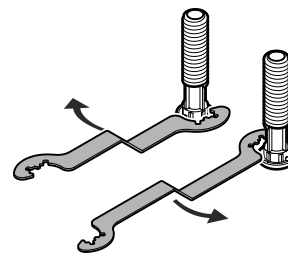
## Levelling the appliance

- Place the appliance in its final position at the place of installation.
- Compensate floor unevenness using the adjustable feet.



## NOTICE

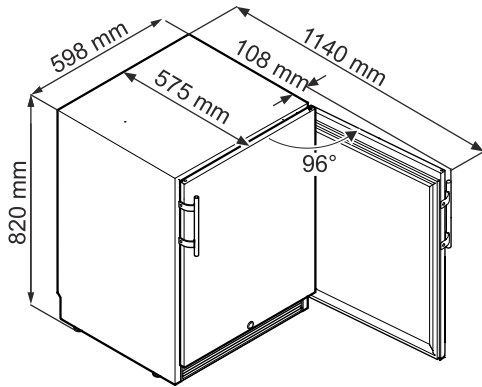
The appliance must be aligned horizontally and vertically. If the appliance is not level, the main body of the appliance can be deformed and the door will not close properly.



Turn the spanner clockwise to raise the appliance and anticlockwise to lower it.

Position the spanner accordingly.

## Appliance dimensions



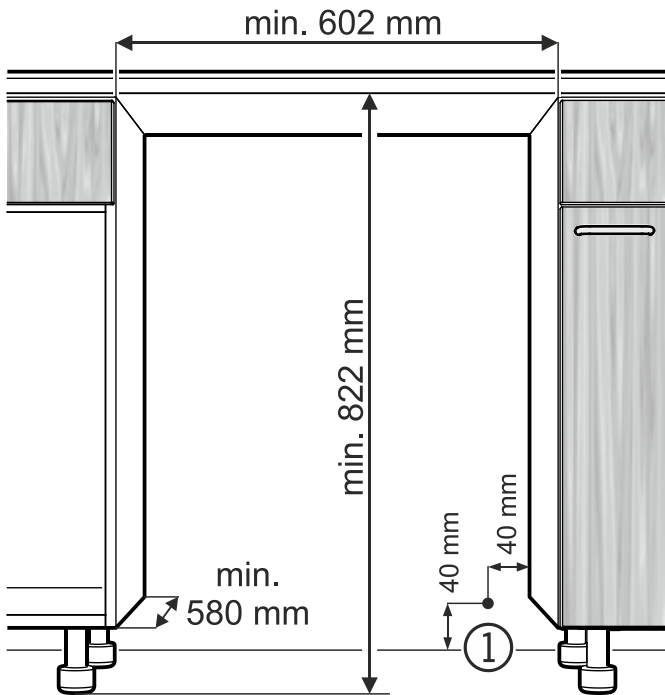
## Installation dimensions

### NOTICE

In order to avoid any problems when installing the appliance and to avoid damage to the appliance, the following conditions must be complied with.

The floor on which the appliance stands must be horizontal and level.

The kitchen unit must be aligned horizontally and vertically.



① In this area, the power cord comes out of the appliance rear.

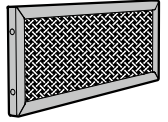
Free length of the power cord = **2000 mm**

Choose the position of the socket considering these specifications.

The socket must not be situated behind the appliance and must be easily accessible.

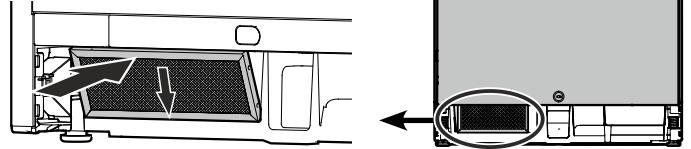
## Mounting the dust filter

The supplied dust filter prevents that dirt enters the motor compartment, reducing the refrigeration performance. Therefore always install the dust filter.



Remove the protective film from the dust filter.

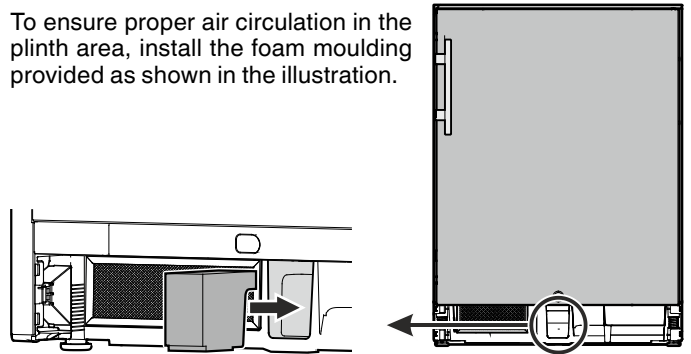
Insert the filter **at the bottom** and click into place **at the top**.



## Air circulation in the appliance plinth area

The refrigeration unit is located in the appliance plinth.

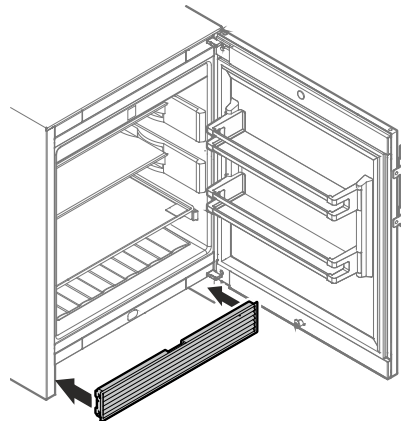
To ensure proper air circulation in the plinth area, install the foam moulding provided as shown in the illustration.



### NOTICE

If the foam moulding is not installed, the appliance will not achieve its full refrigeration performance during operation.

## Mounting the ventilation grille

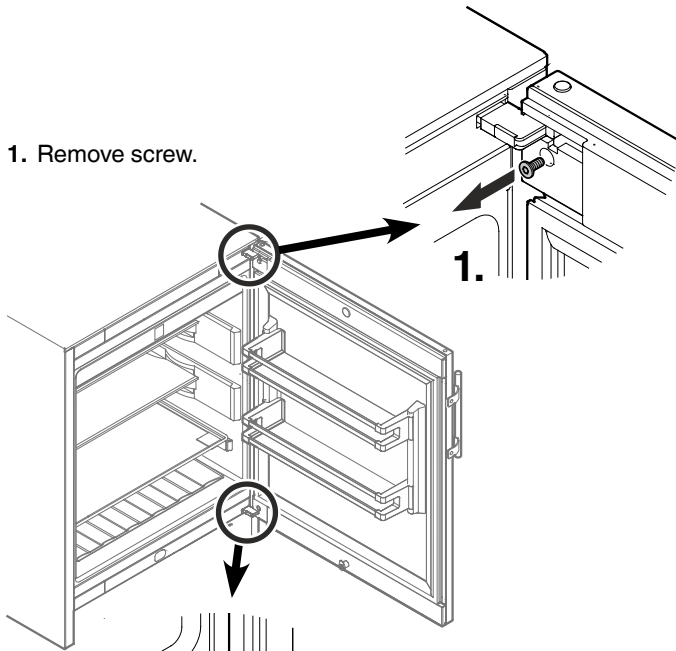


Fit the provided ventilation grille at the front and click into place.

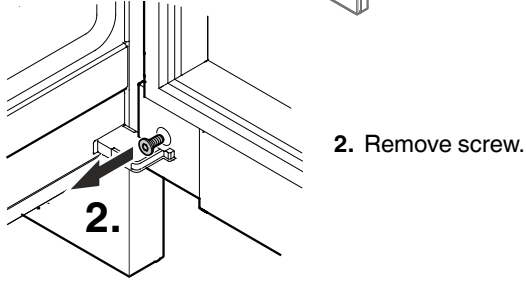
## Changing Over Door Hinges

Door hinges should only be changed by a trained expert.

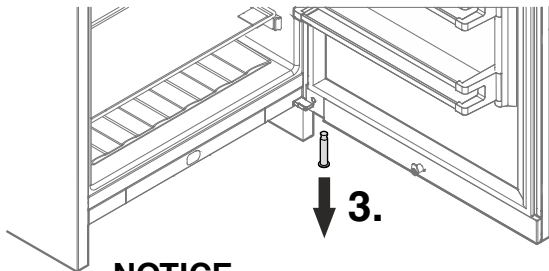
Changing over the door hinges requires two people.



1. Remove screw.



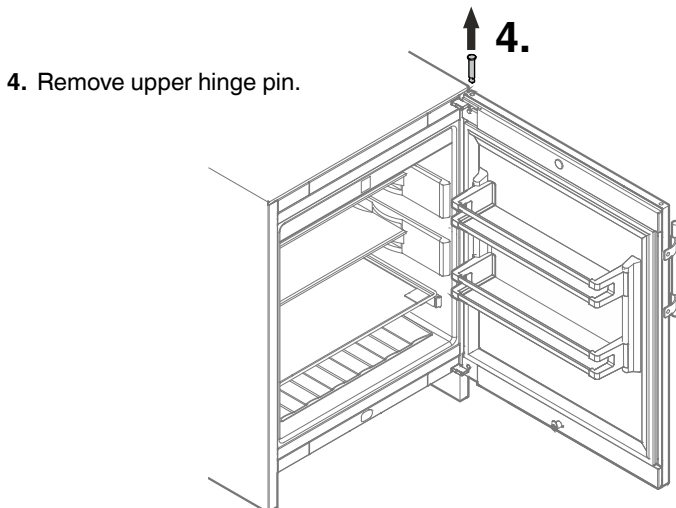
2. Remove screw.



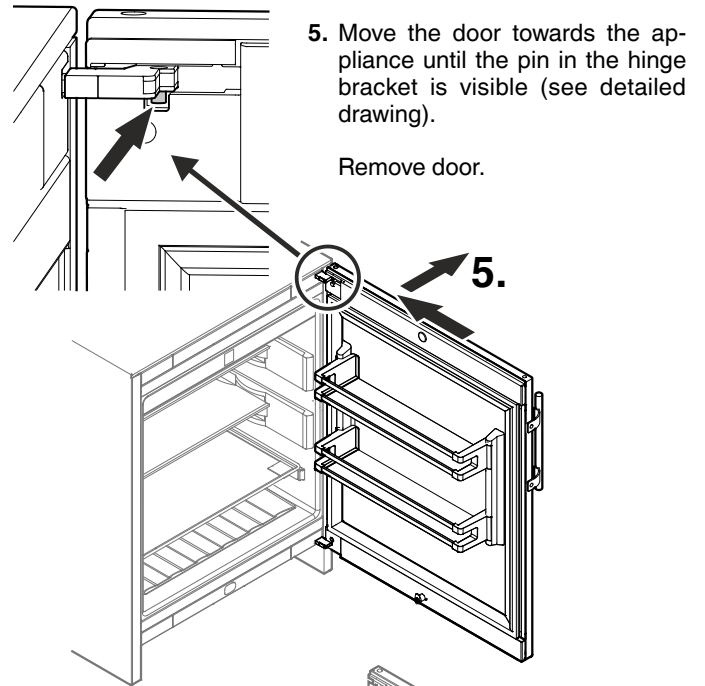
### NOTICE

The door must now be held secure by another person.

3. Pull out hinge pin.

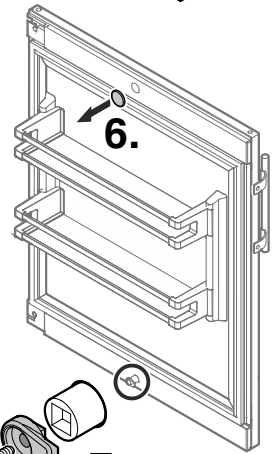


4. Remove upper hinge pin.

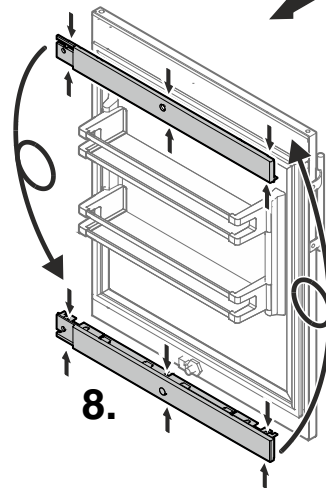
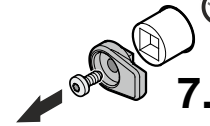


5. Move the door towards the appliance until the pin in the hinge bracket is visible (see detailed drawing).  
Remove door.

6. Remove cover.



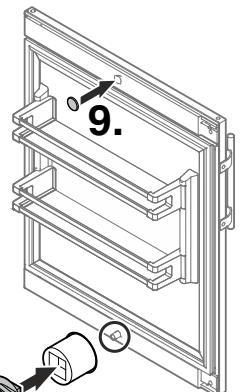
7. Unscrew door latch.



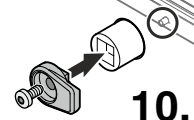
8. Compress the covers in the places shown and release.

Turn the covers 180° and click into place on the opposite side.

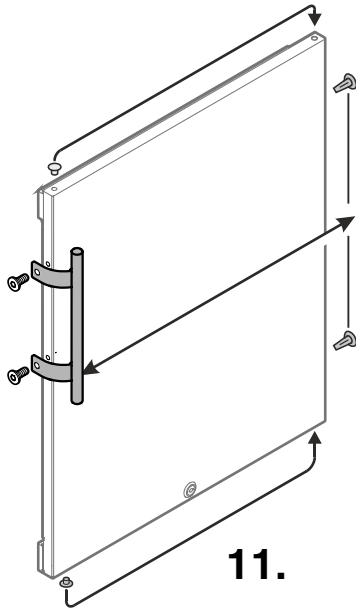
9. Click cover into place.



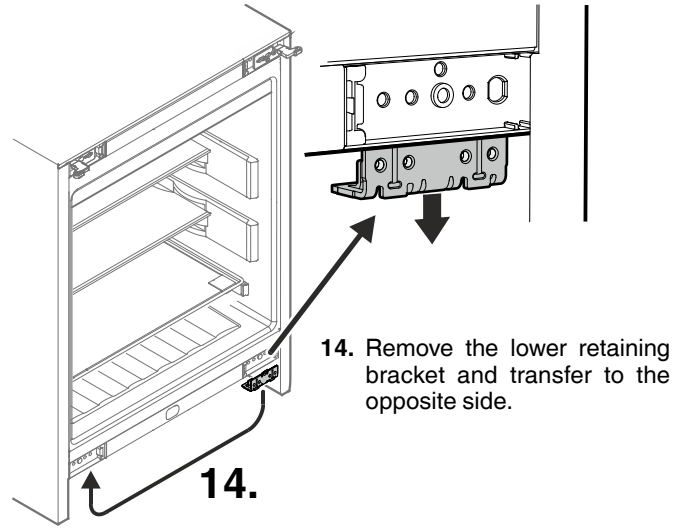
10. Screw on the door latch.



11. Transfer door handle and plugs to the opposite side.



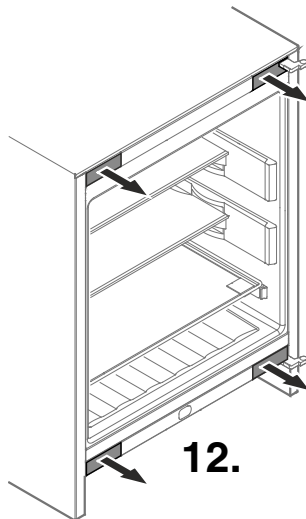
11.



14. Remove the lower retaining bracket and transfer to the opposite side.

14.

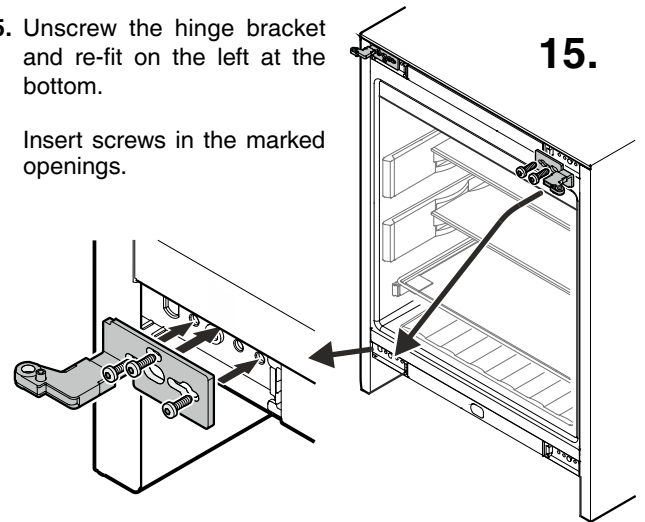
12. Remove the covers.



12.

15. Unscrew the hinge bracket and re-fit on the left at the bottom.

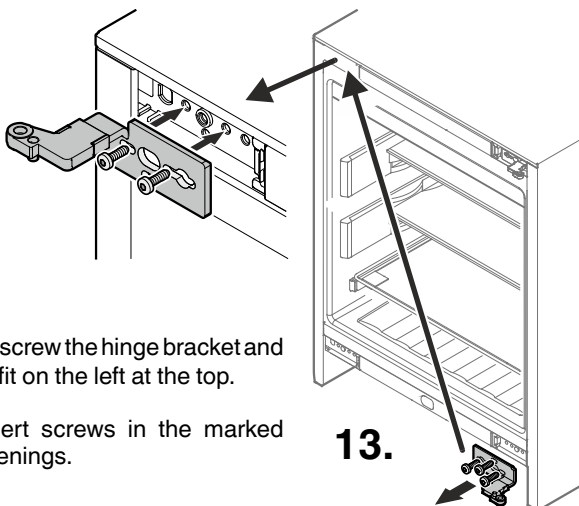
Insert screws in the marked openings.



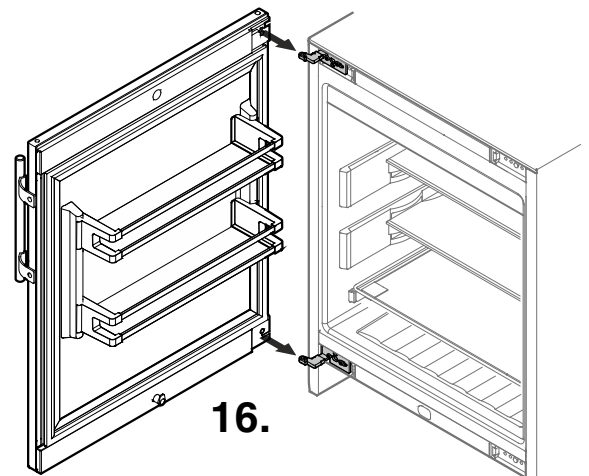
15.

13. Unscrew the hinge bracket and re-fit on the left at the top.

Insert screws in the marked openings.



13.



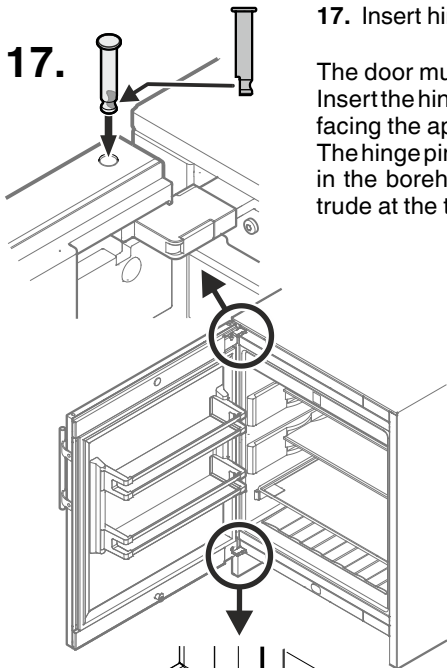
16.

16. Fit the door on the hinge brackets.

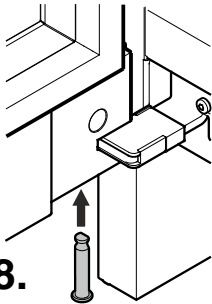
**NOTICE**

The door must now be held secure by another person.

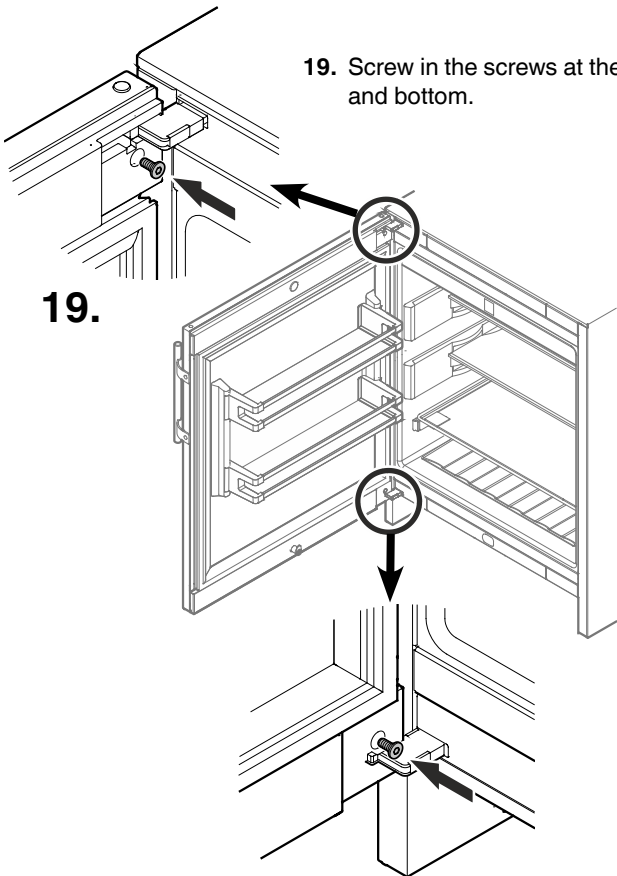
**17.** Insert hinge pin.  
The door must be open 90°. Insert the hinge pin with the flat part facing the appliance. The hinge pin must be fully inserted in the borehole and may not protrude at the top.



**18.** Insert the bottom hinge pin in the same way.



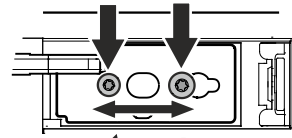
**19.** Screw in the screws at the top and bottom.



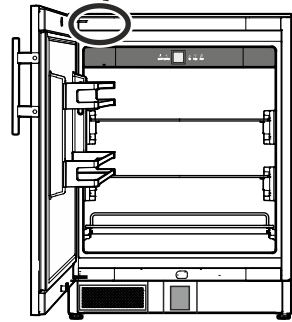
**20.** Close door and check to ensure that it is aligned with the side walls of the appliance.

Close door and check to ensure that it is aligned with the side walls of the appliance.

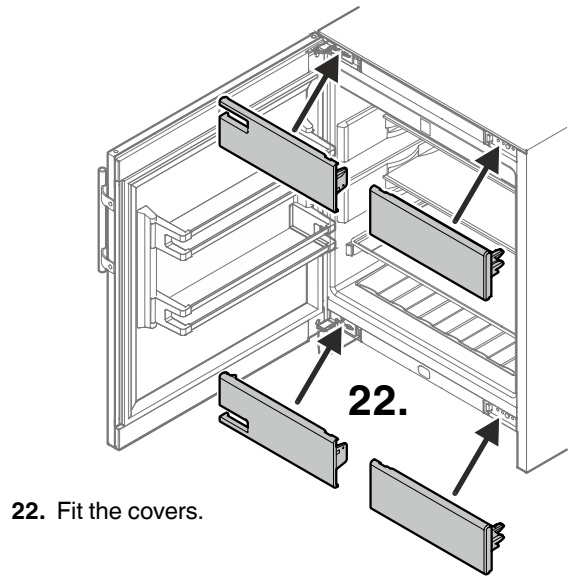
**Adjusting the lateral tilt of the door**  
If the door is at an angle, adjust the angle.



**21.** Undo screws and slide hinge bracket to the right or left. Tighten screws.



**22.** Fit the covers.





**Liebherr-Hausgeräte GmbH**  
Memminger Straße 77-79  
88416 Ochsenhausen  
Germany  
[home.liebherr.com](http://home.liebherr.com)

