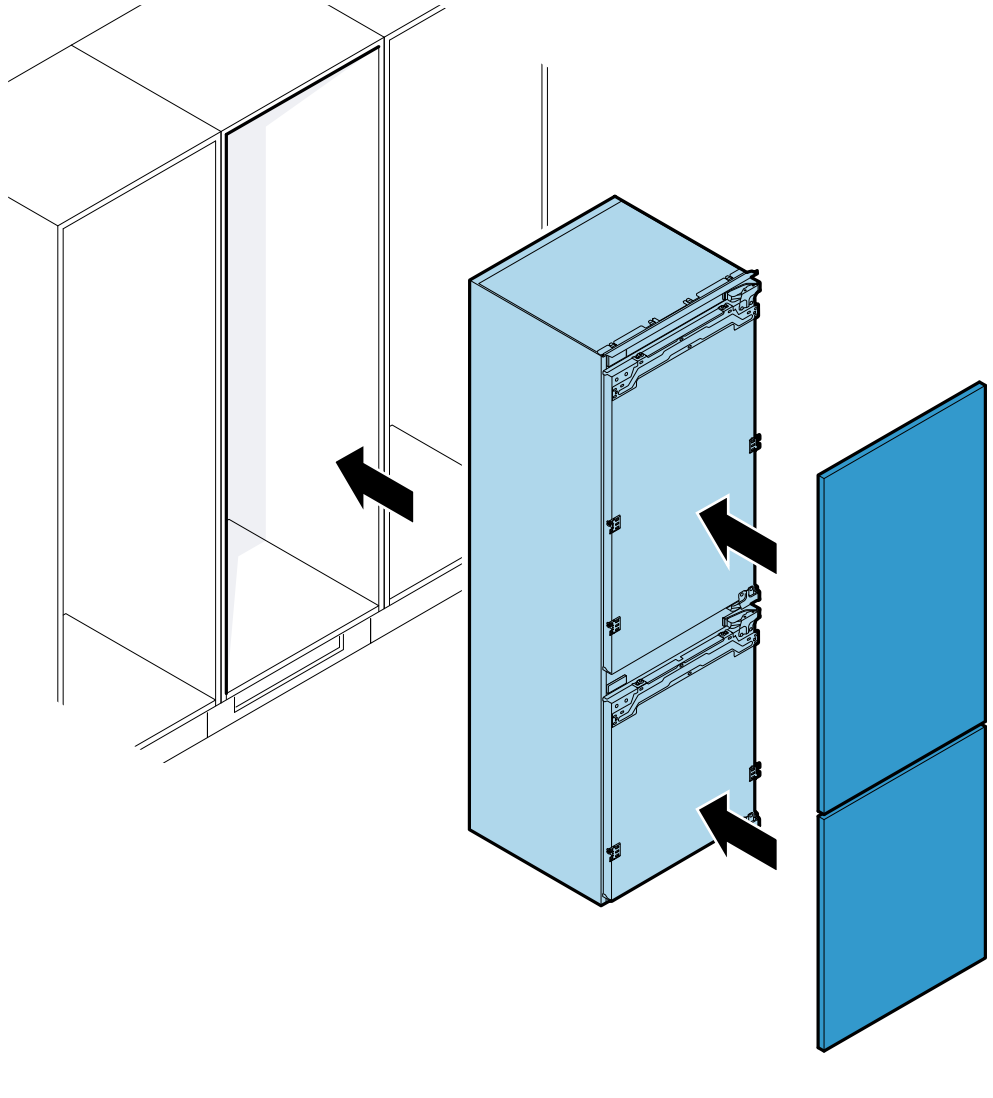
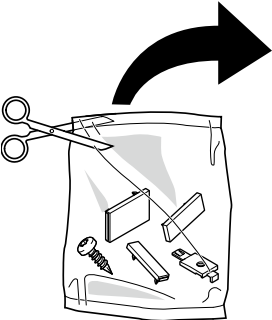


9001985533 (041128)

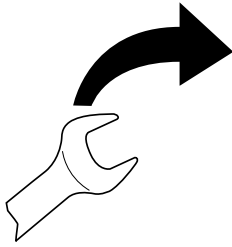


mm

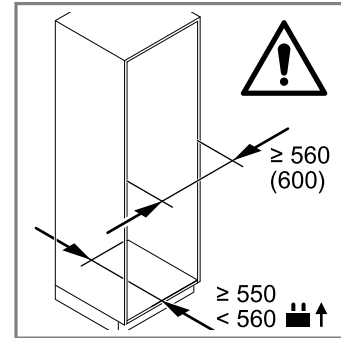
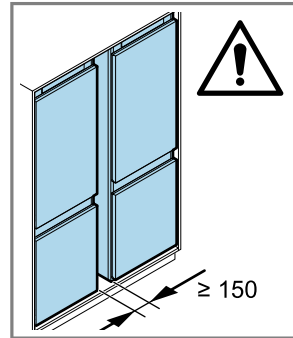
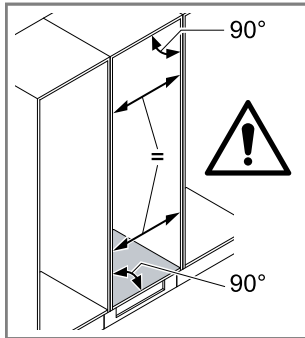
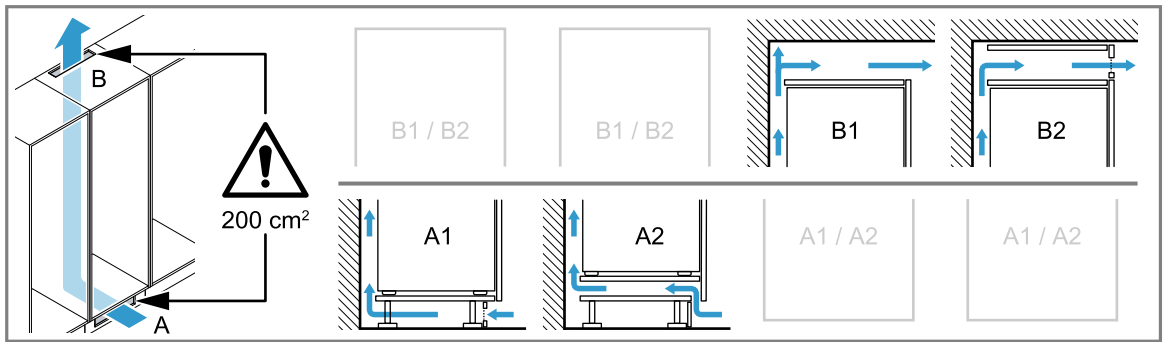
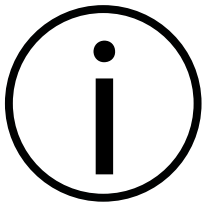


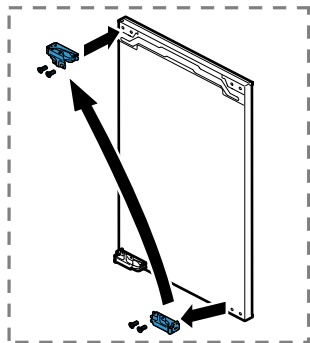
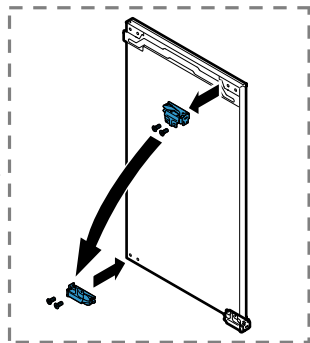
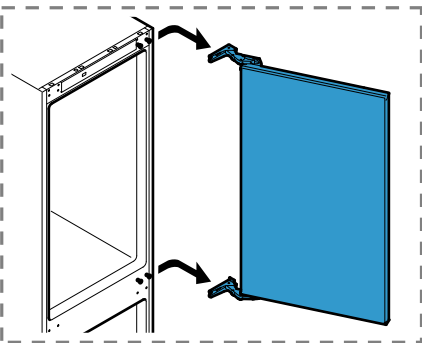
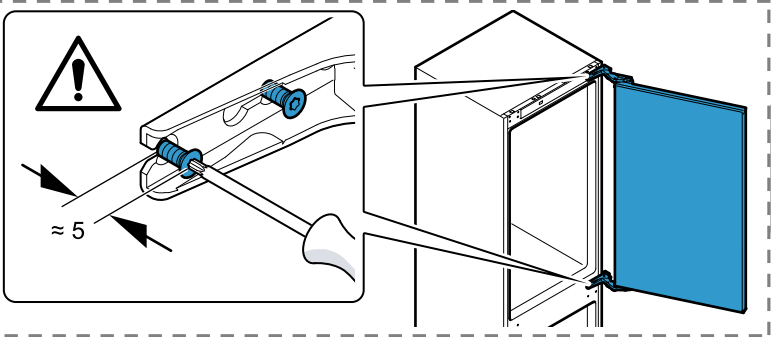
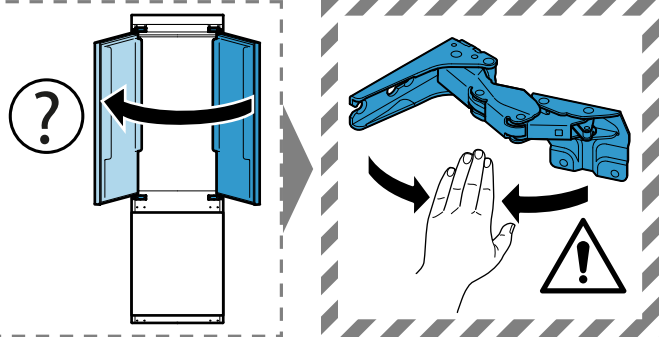
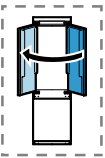


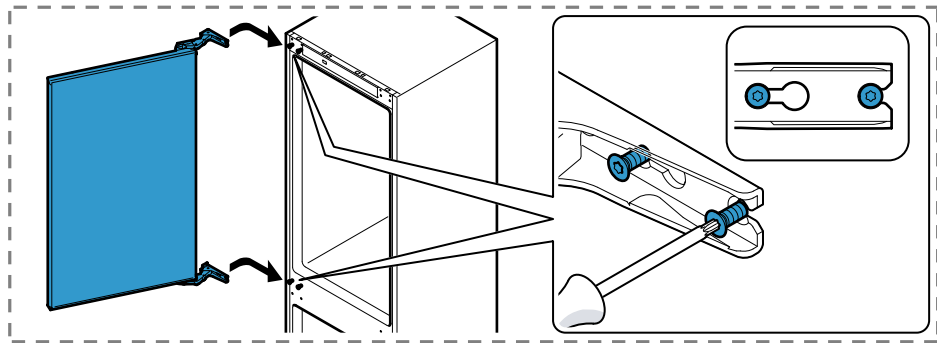
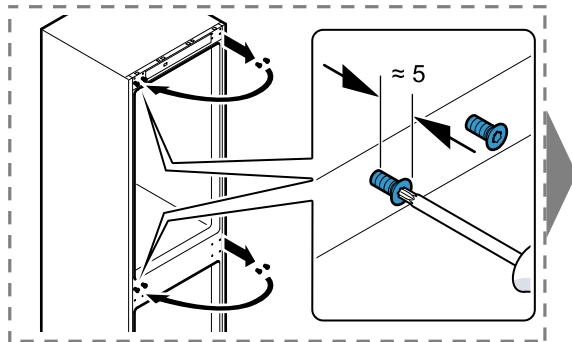
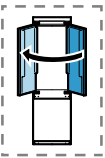
- 2x [Component]
- 2x [Component]
- 2x [Component]
- [Component]
- 6x [Component]
- 2x [Component]
- 2x [Component]
- [Component]
- 8x 4x15 T20 [Screw]
- 14x 4x15 T20 [Screw]
- 2x M5x10 T20 [Screw]
- [Component]
- [Component]
- 10x [Component]
- 2x [Component]
- [Cable]
- [Component]
- 2x [Component]



- Torx T 20 [Screwdriver]
- [Pencil]
- [Level]
- [L-shaped Component]
- [Coiled Cable]
- [Tape Measure]
- [Scissors]
- [Drill Bit] ø 2 mm

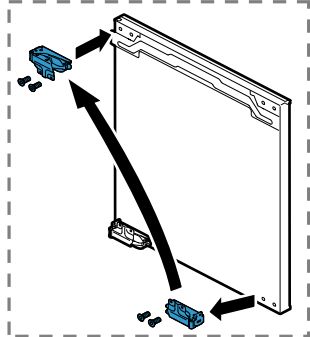
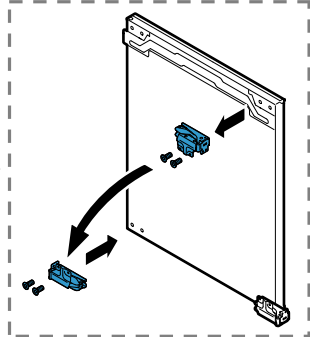
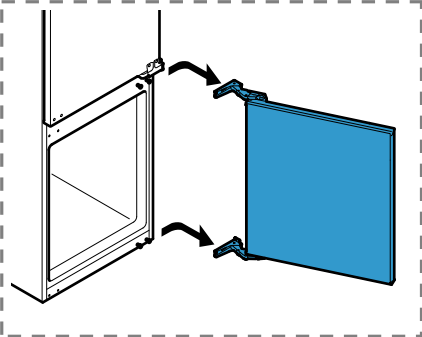
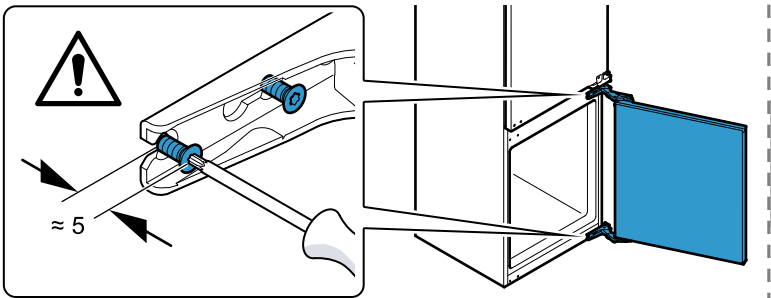
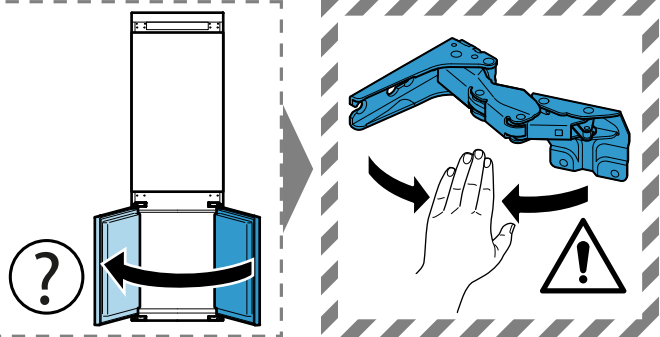
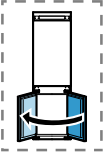


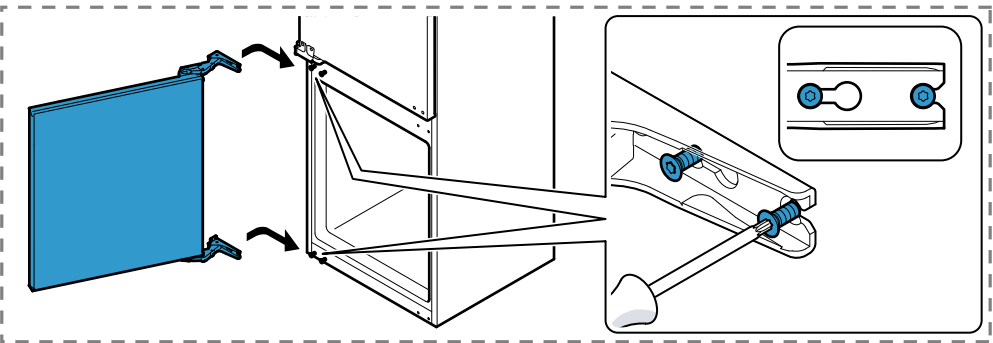
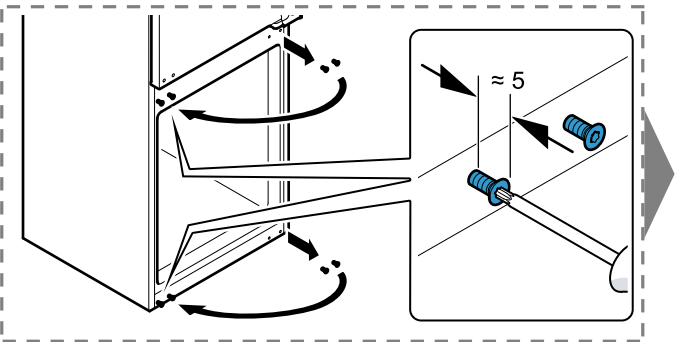
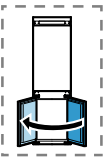




Torx  
T 20

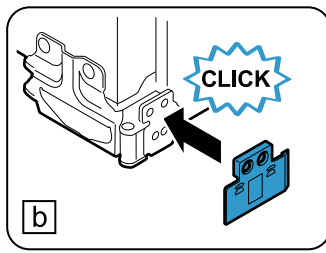
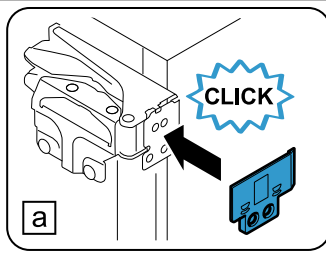
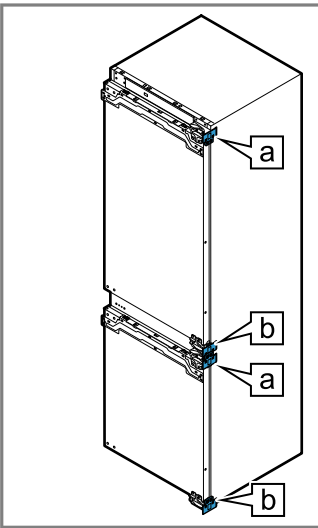
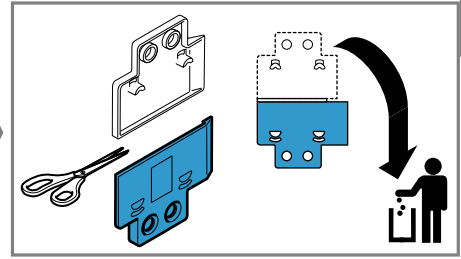
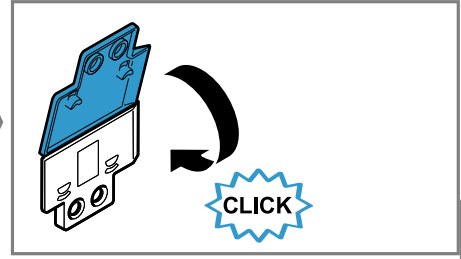
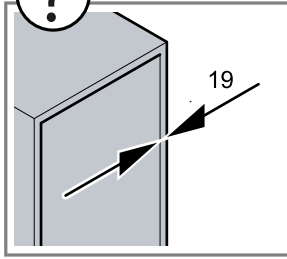
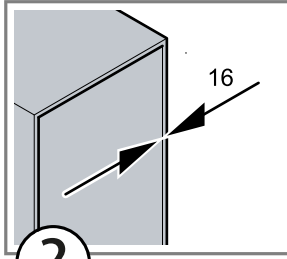
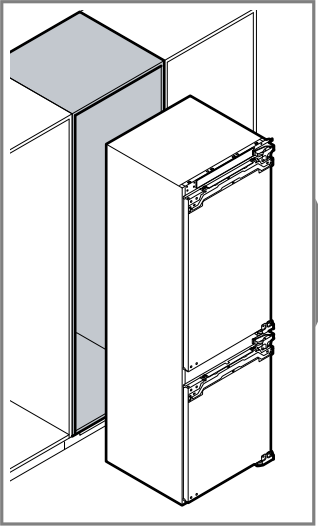




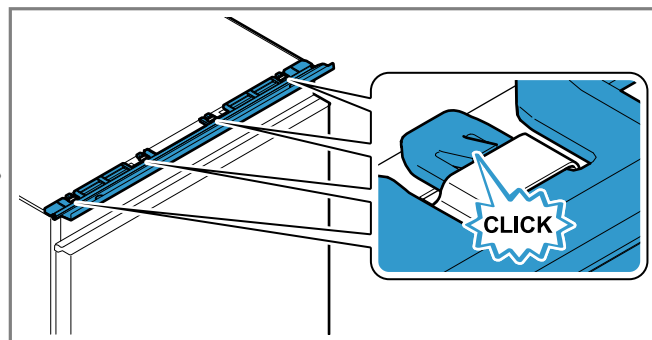
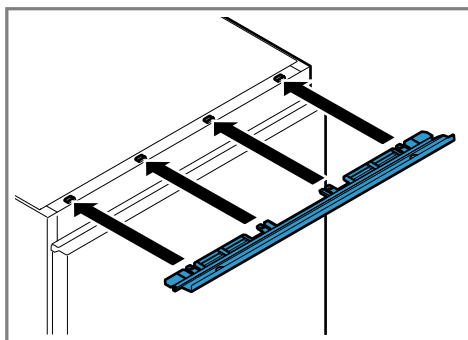
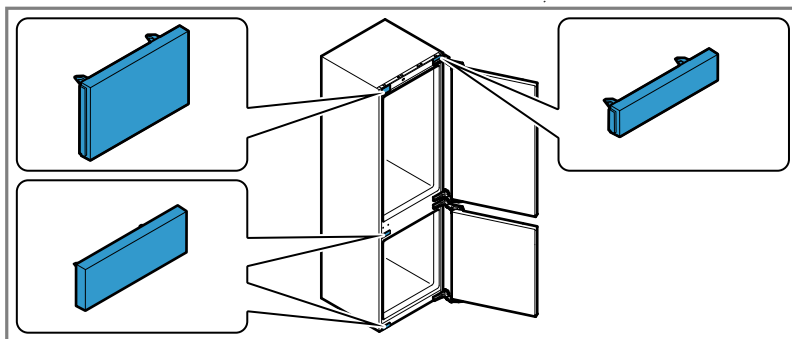
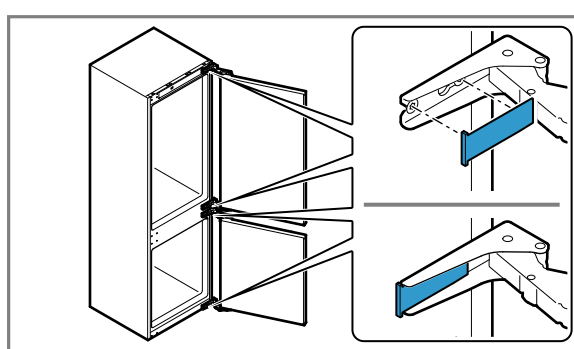
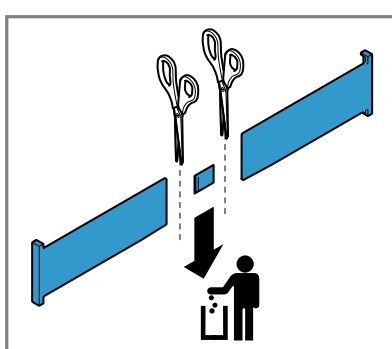
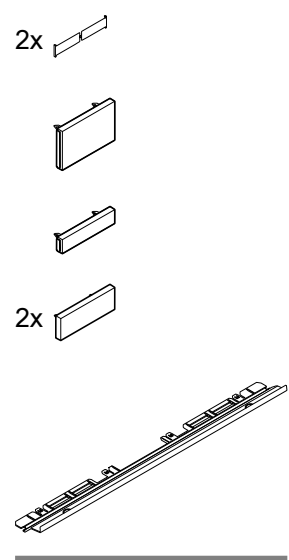


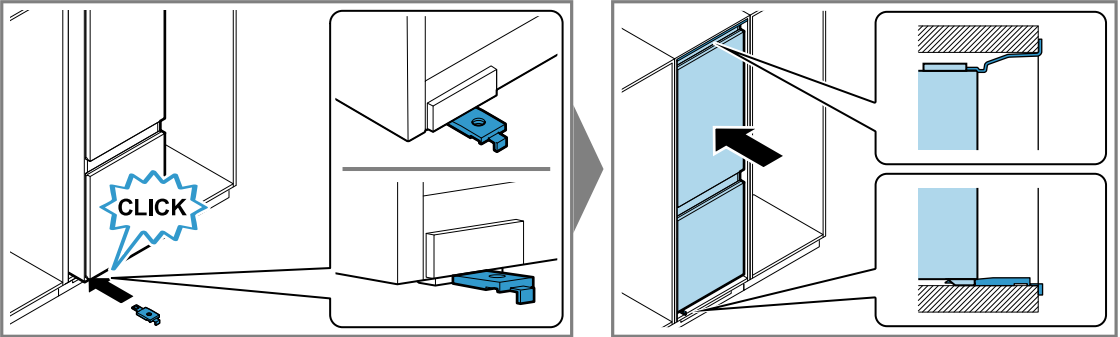
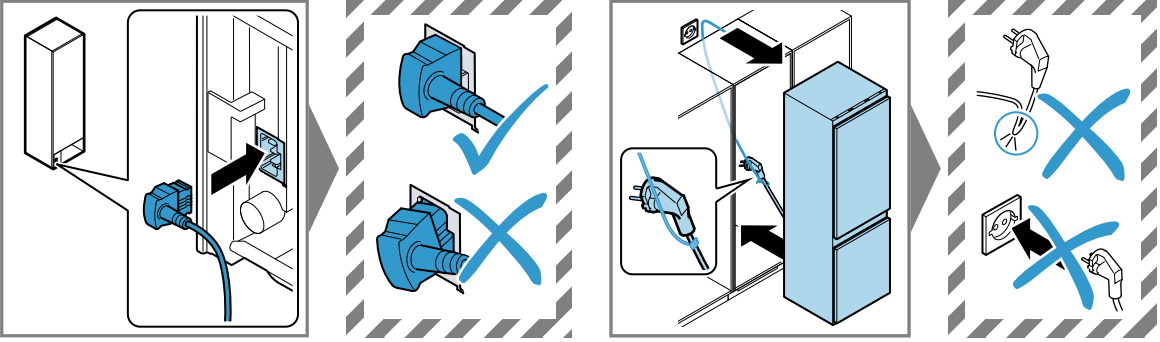
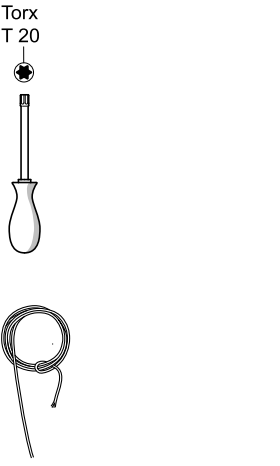
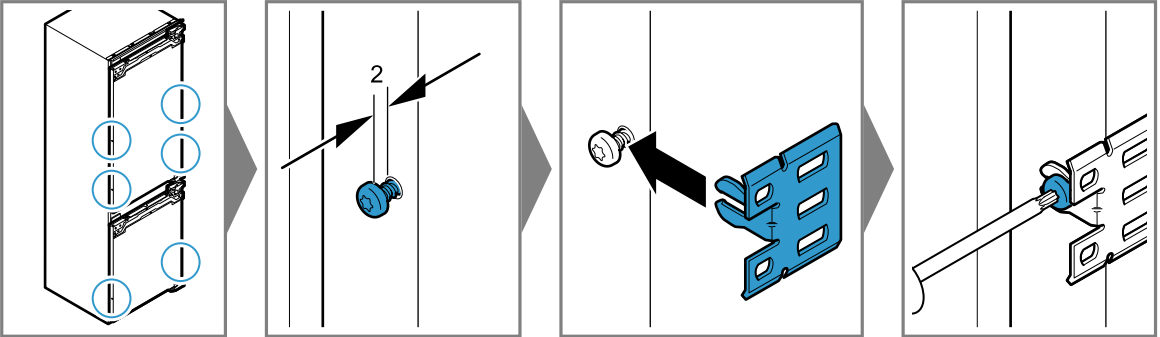
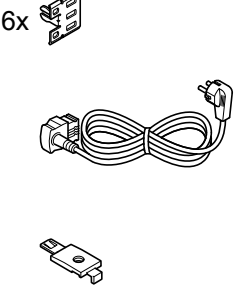
Torx  
T 20



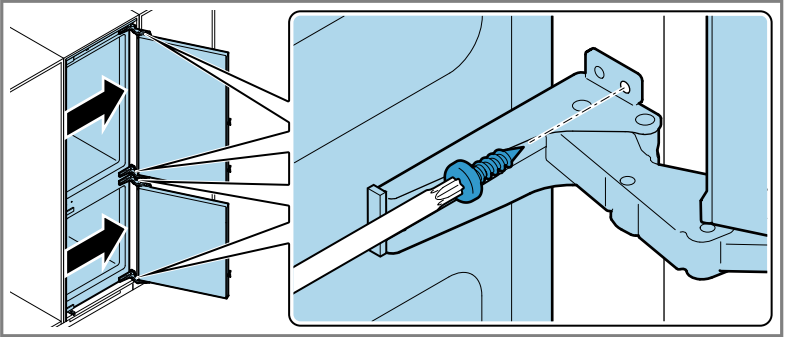
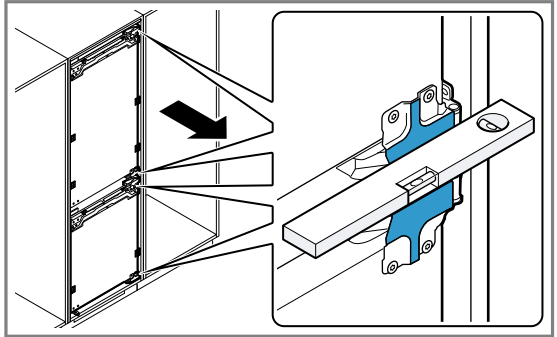
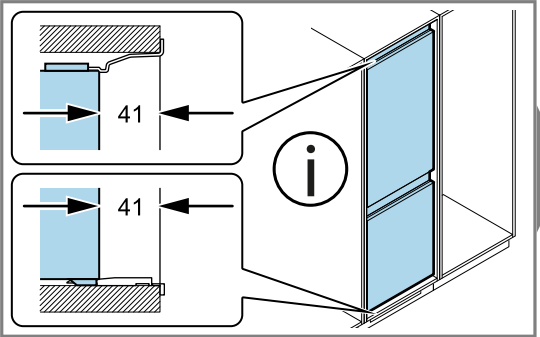




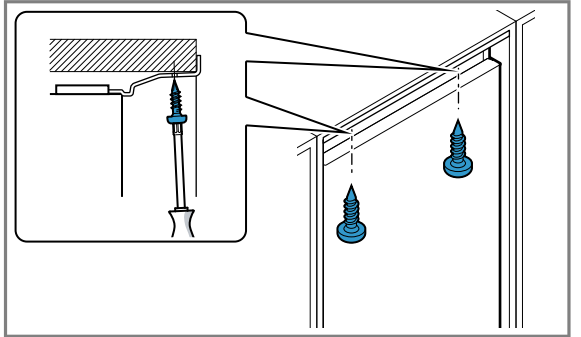
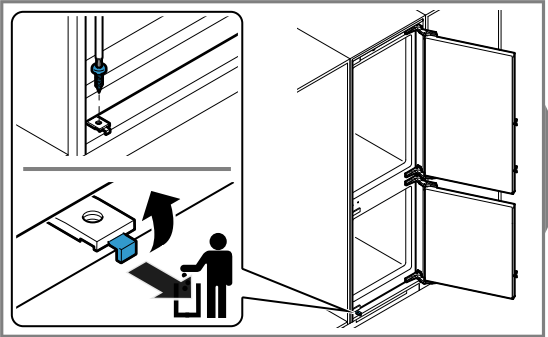
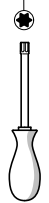




7x

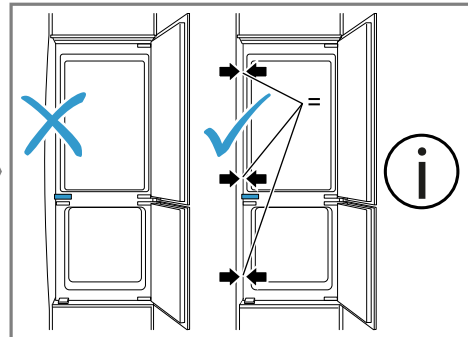
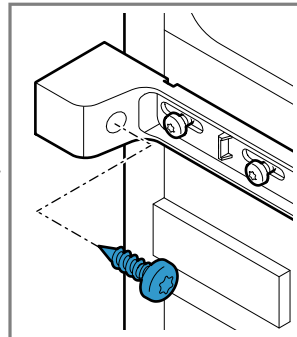
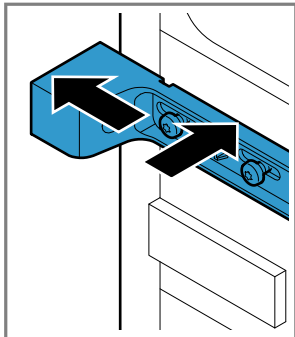
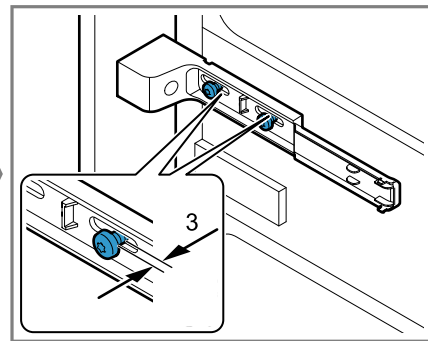
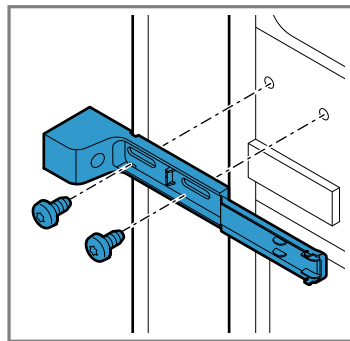
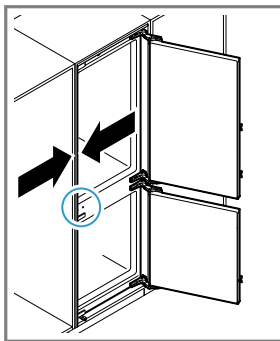
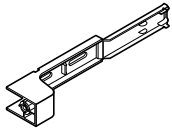


Torx  
T 20

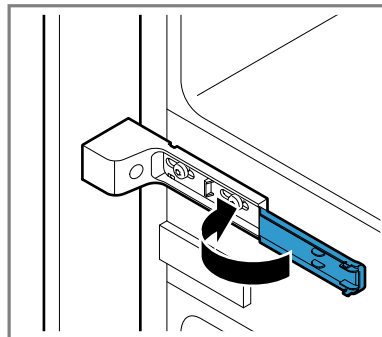
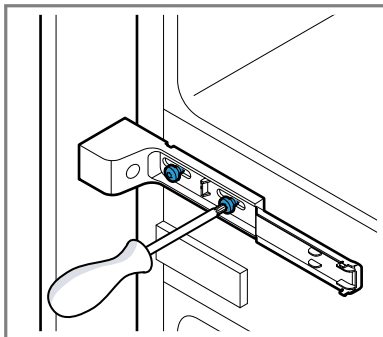


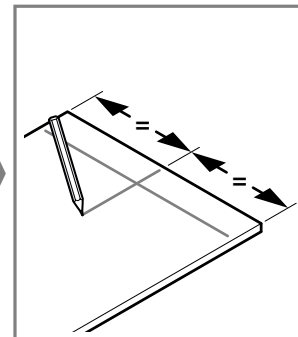
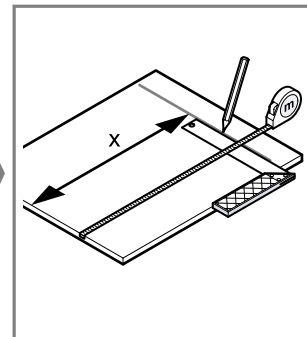
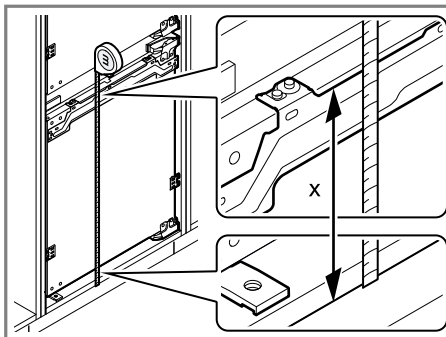
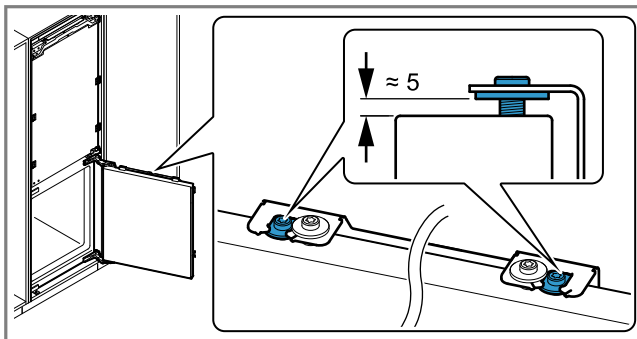
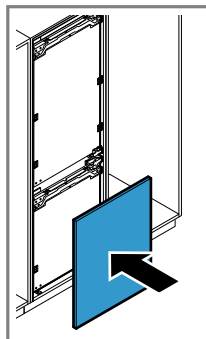
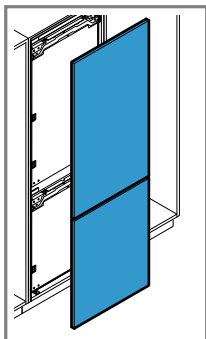


2x

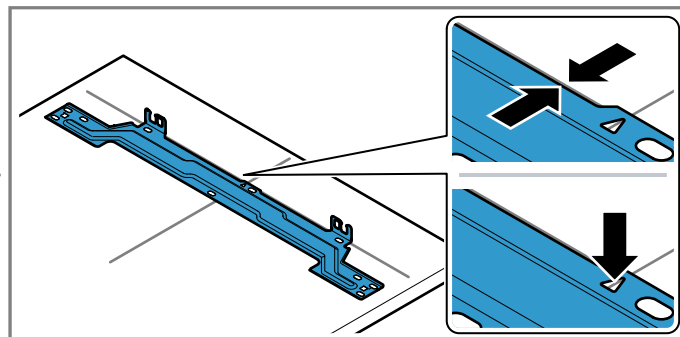
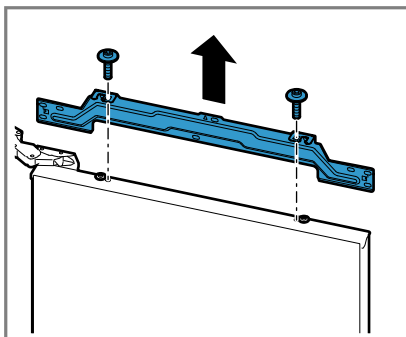
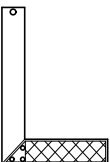
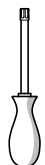


Torx  
T 20

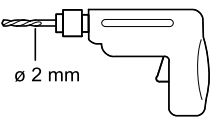
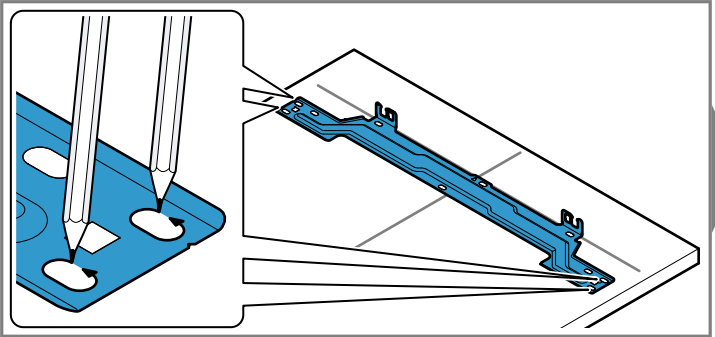




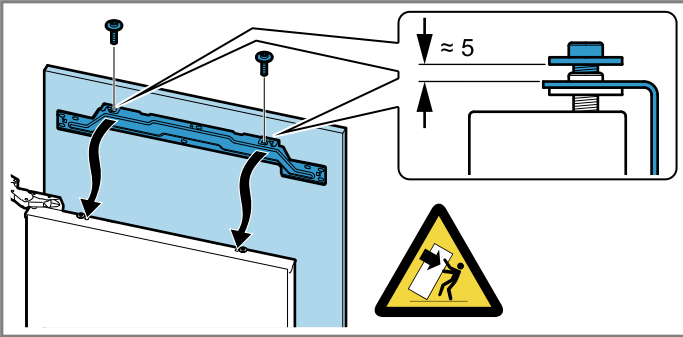
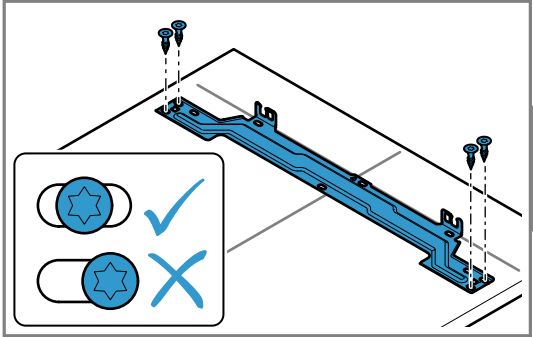
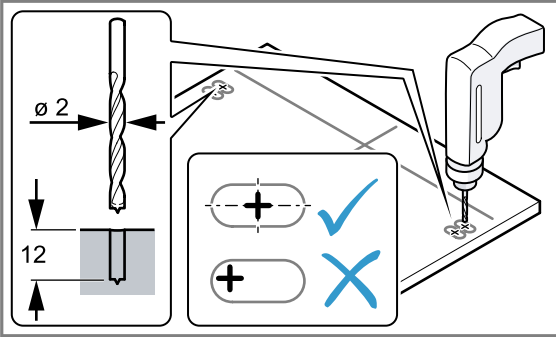
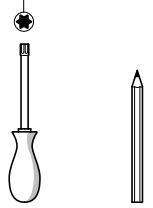
Torx  
T 20

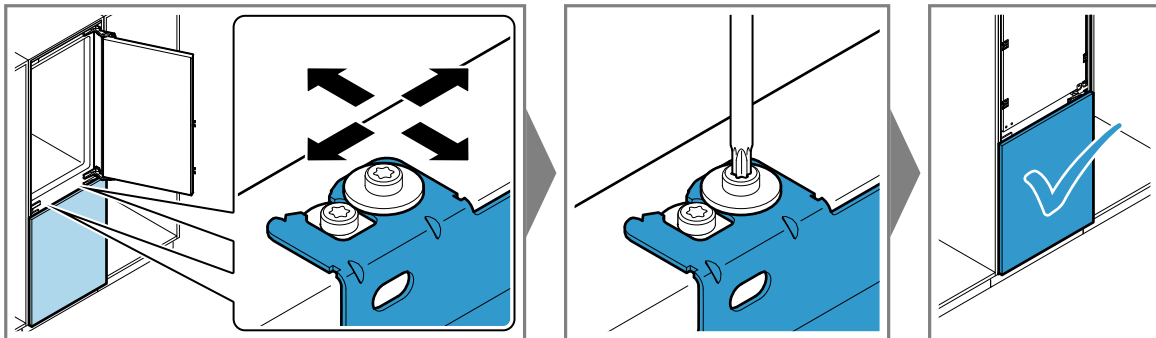
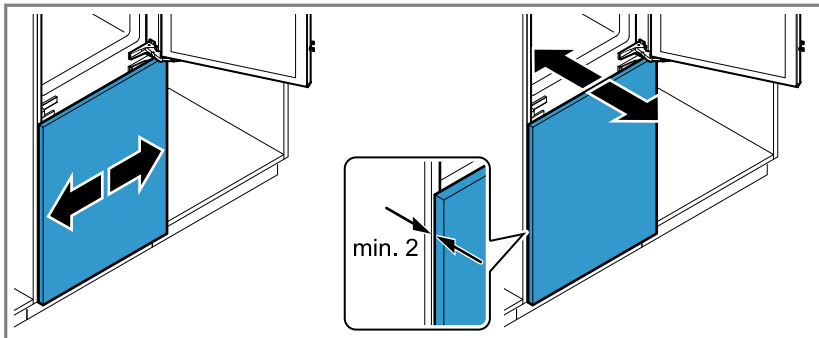
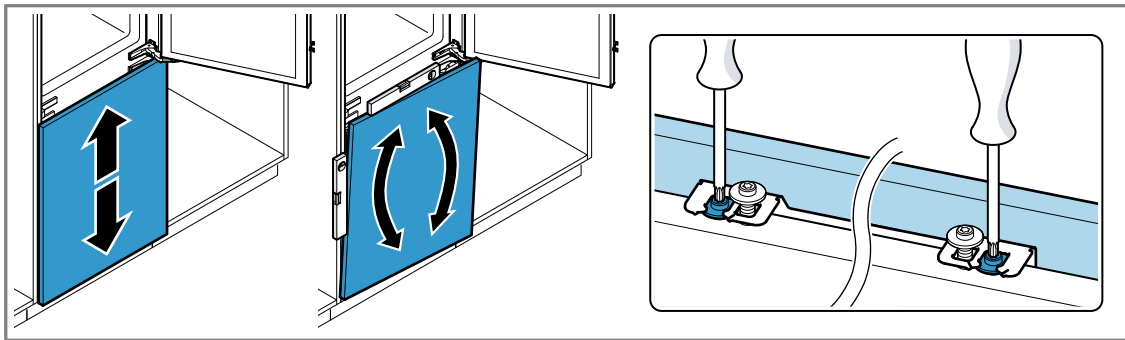


4x 



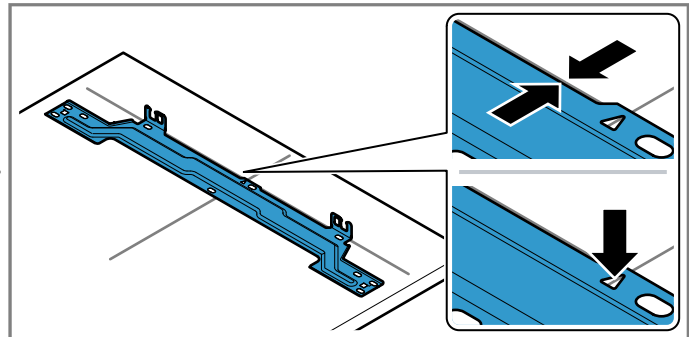
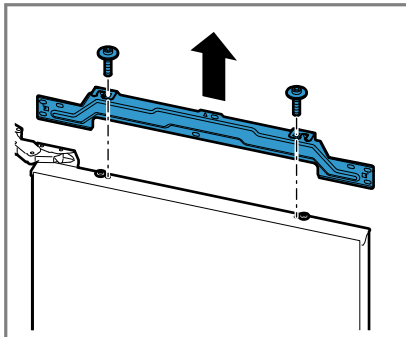
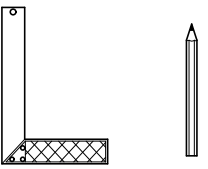
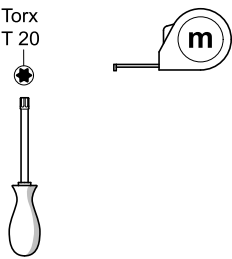
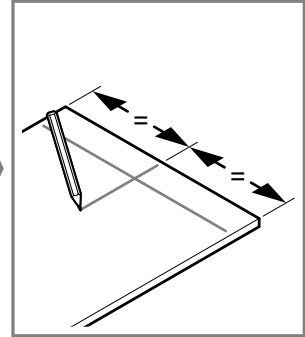
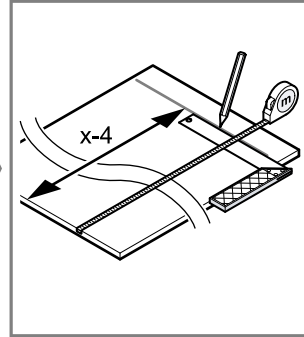
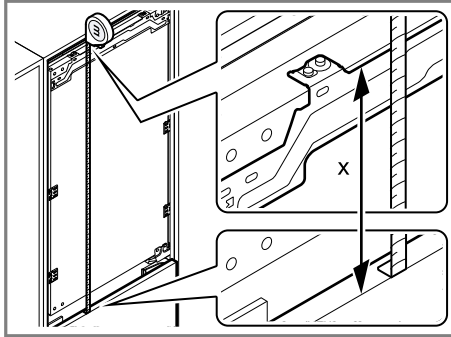
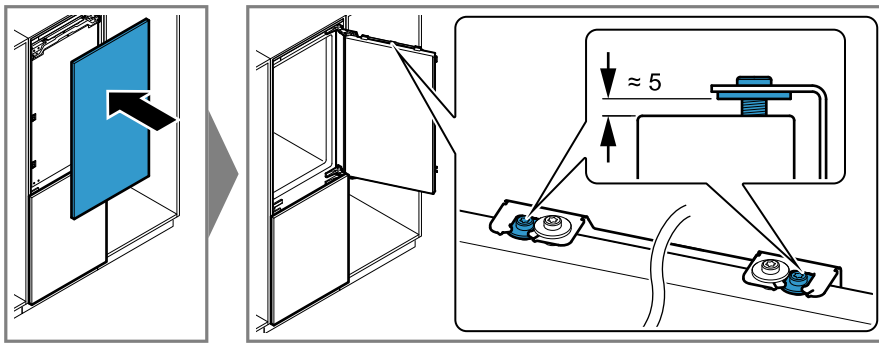
Torx  
T 20





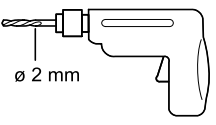
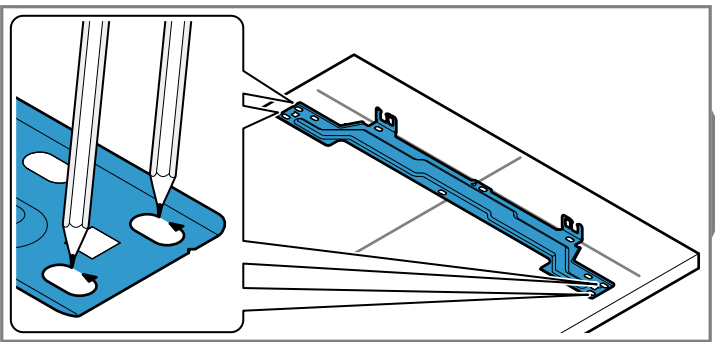
Torx  
T 20



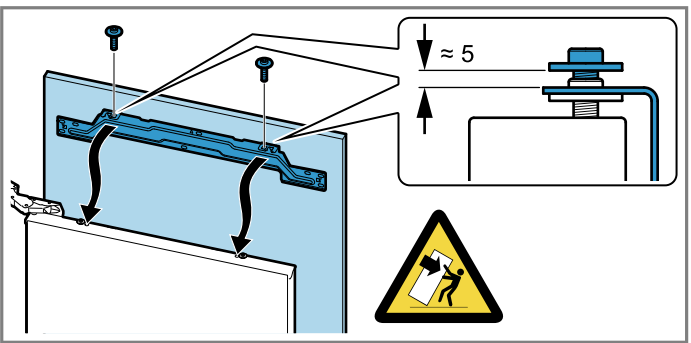
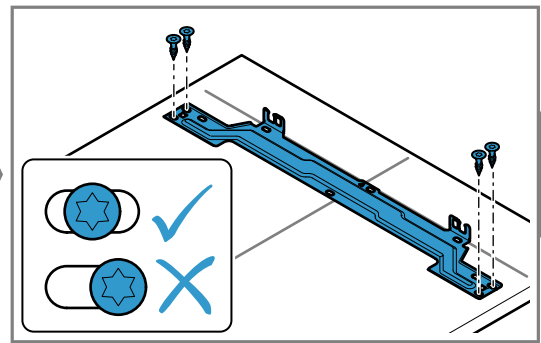
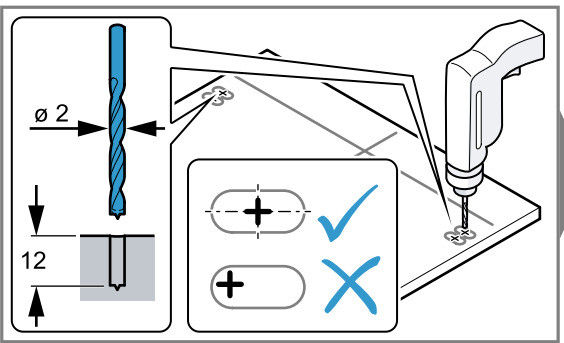
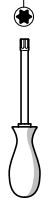


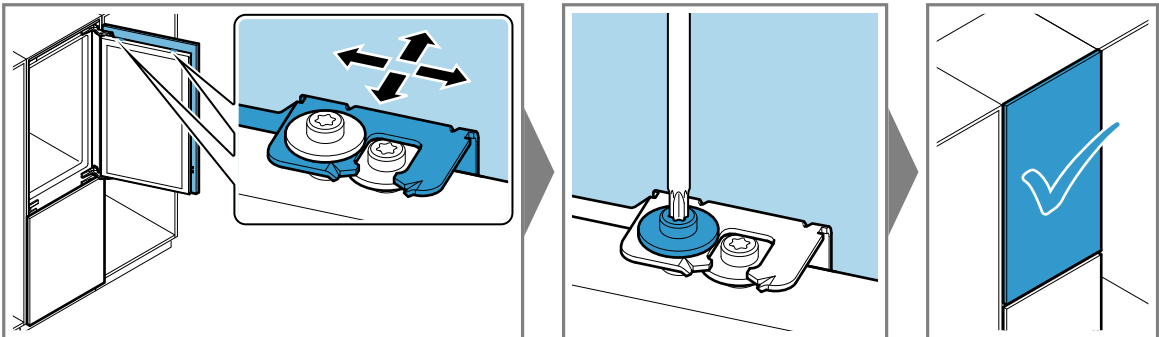
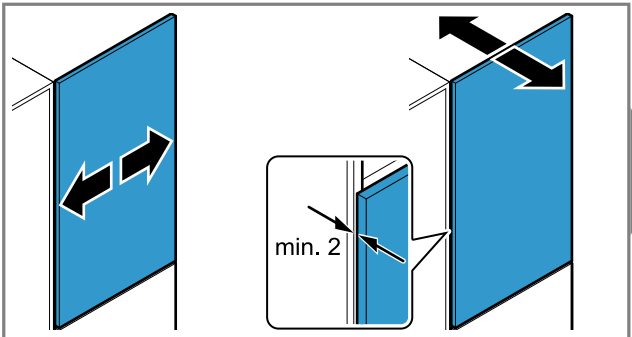
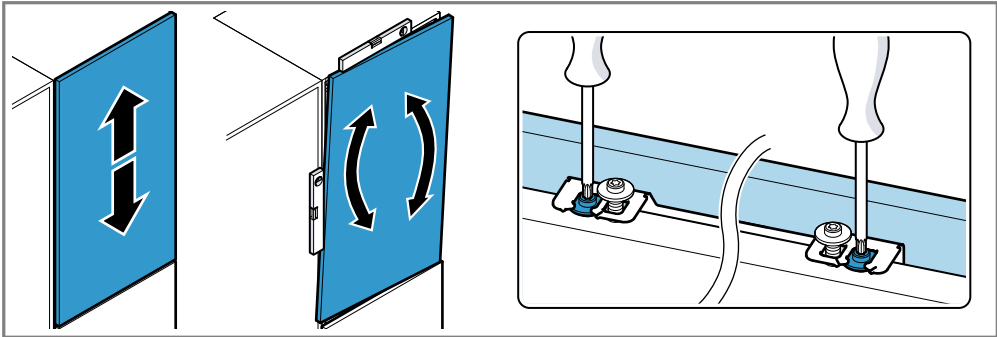


4x



Torx  
T 20

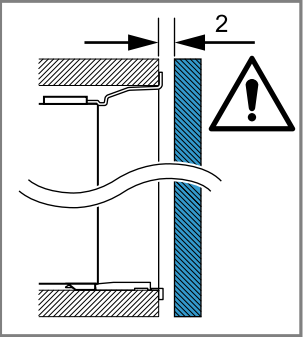
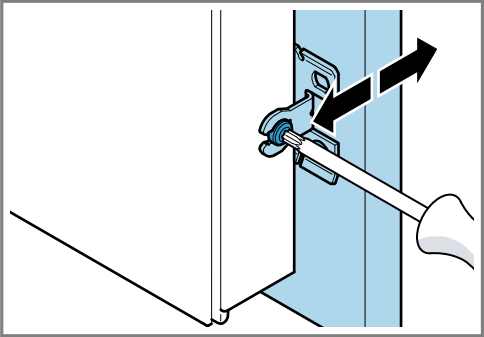
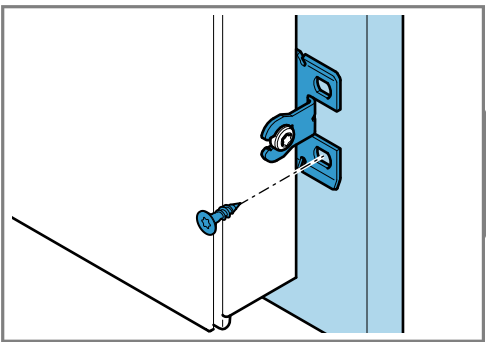
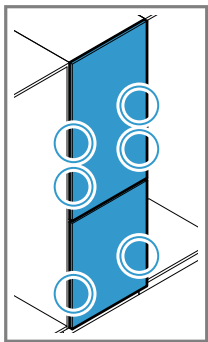
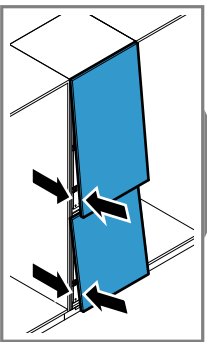




Torx  
T 20

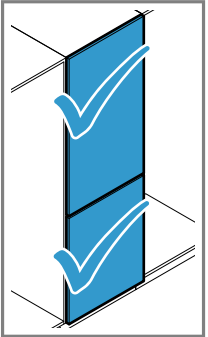
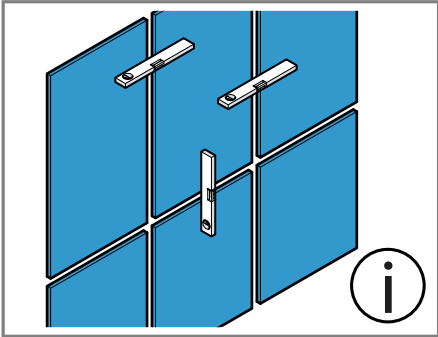
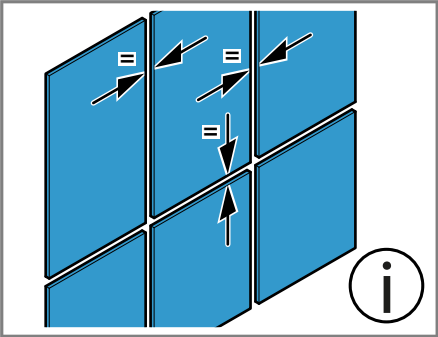


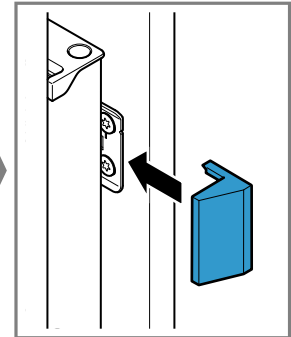
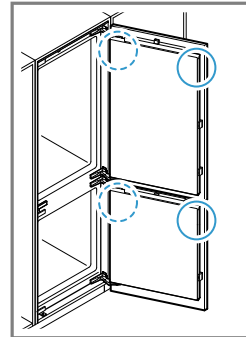
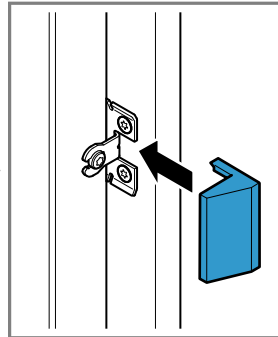
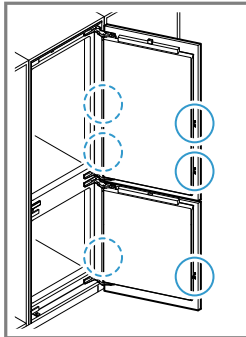
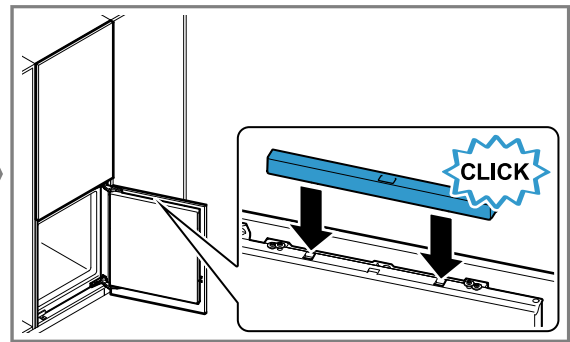
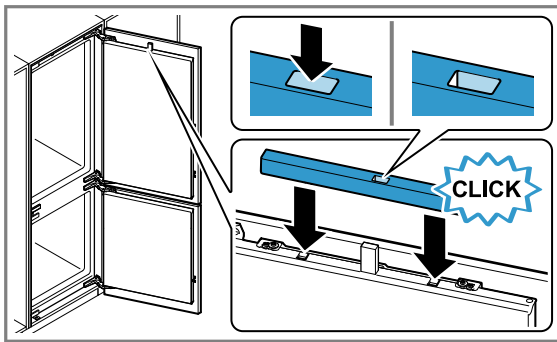
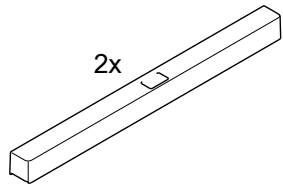
6x



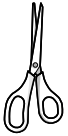
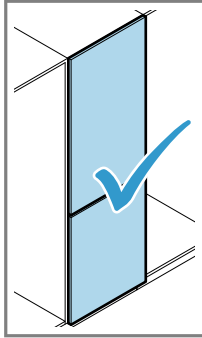
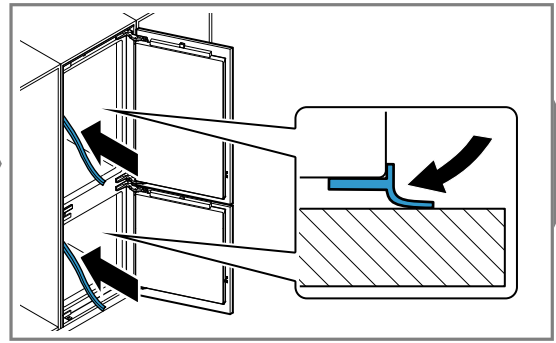
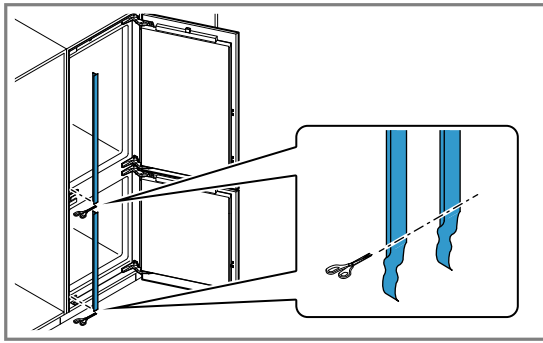
Torx

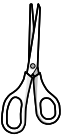
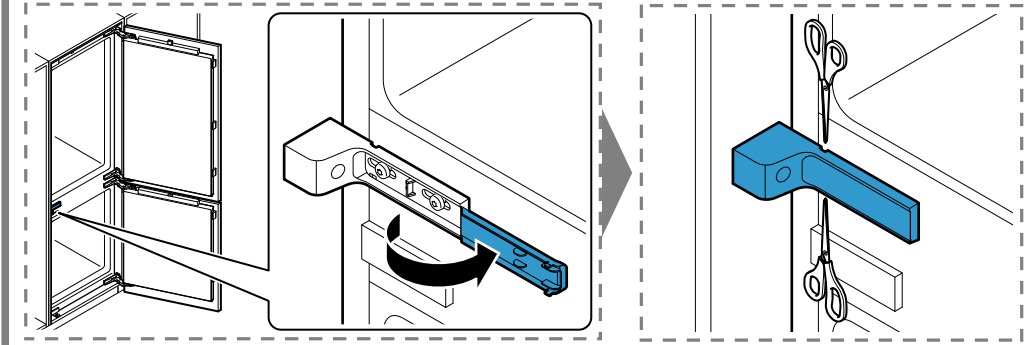
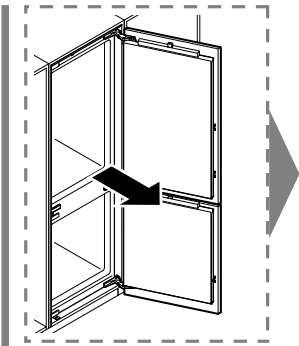
T 20





2x







A series of horizontal lines for writing, starting from a vertical margin line on the left and extending across the page.

