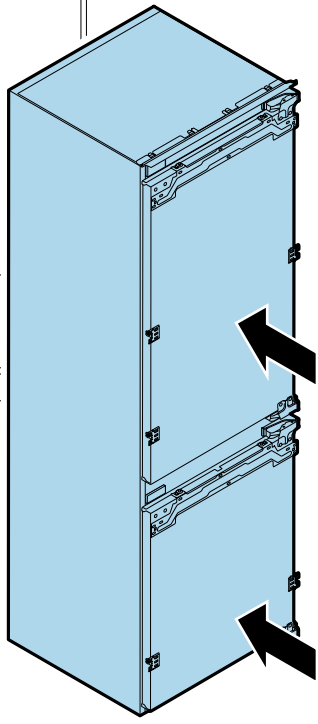
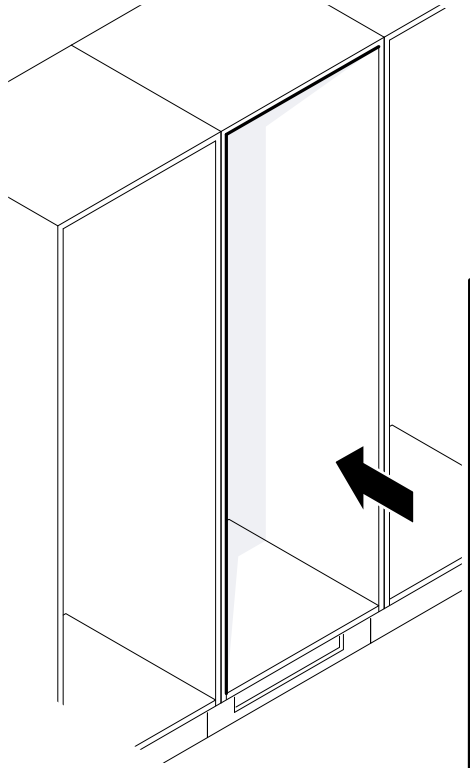


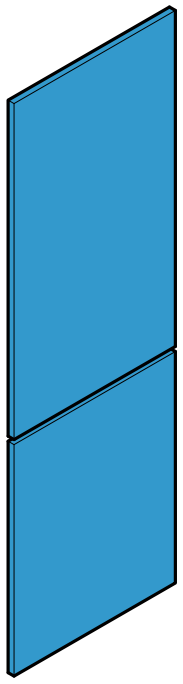
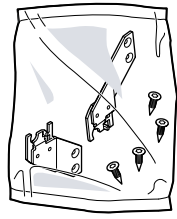
9001742393 (040112)

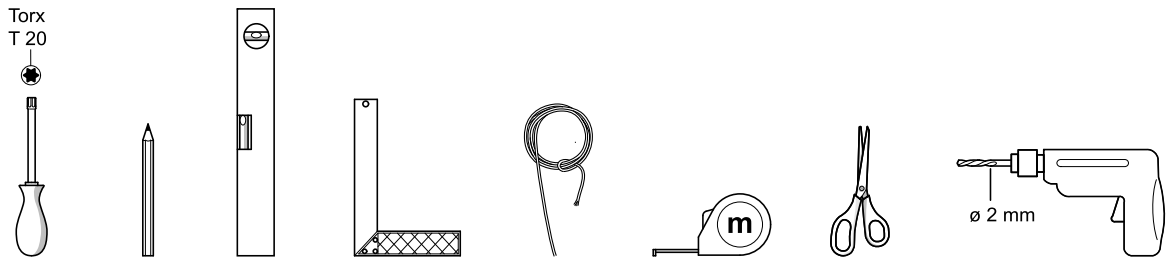
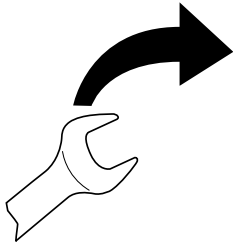
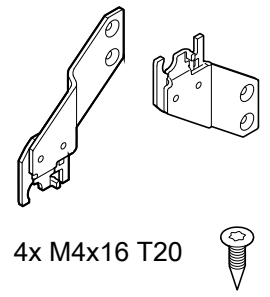
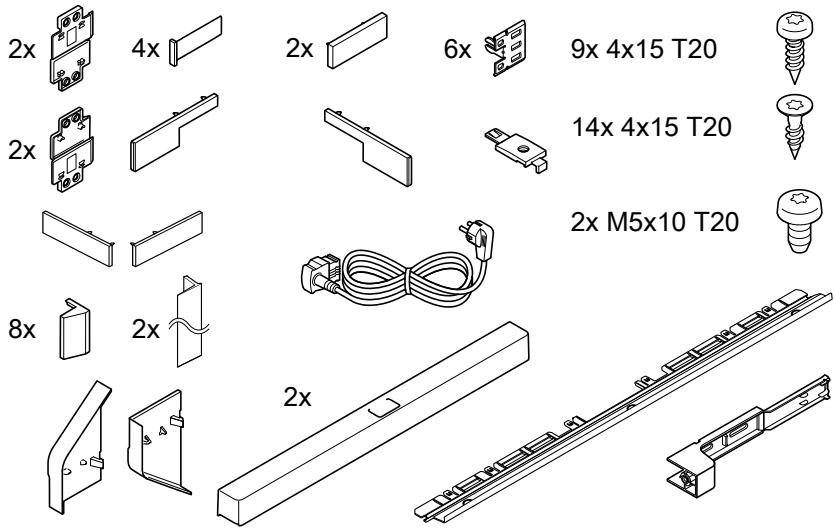
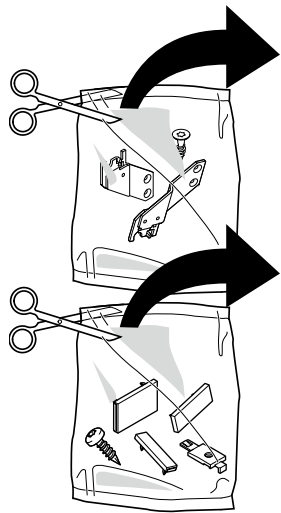


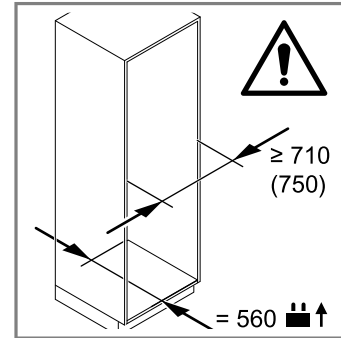
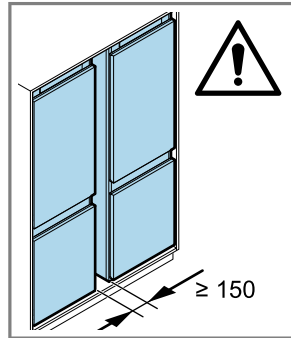
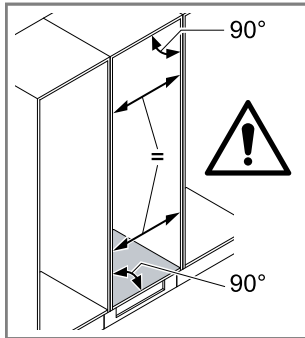
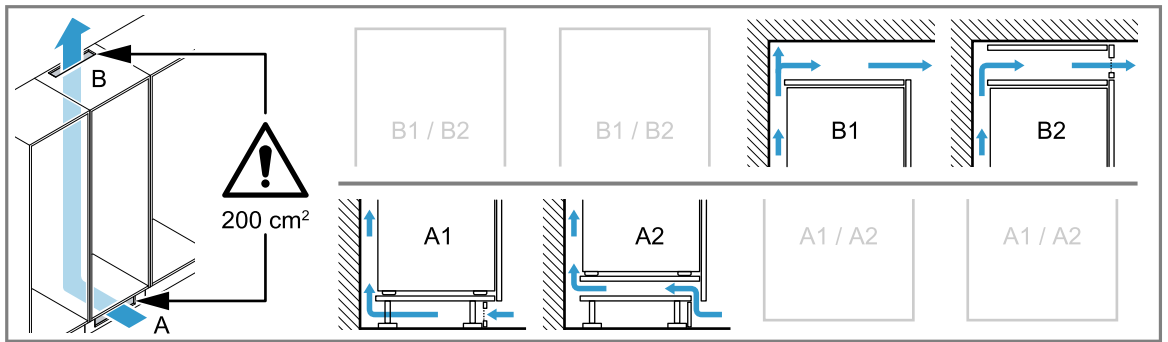
mm

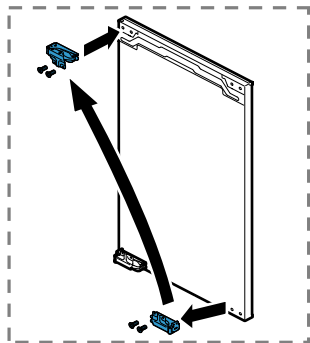
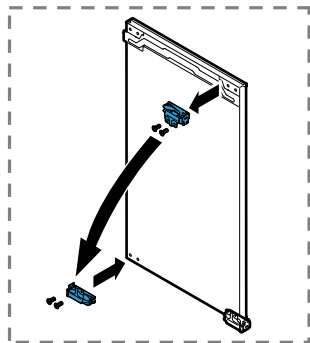
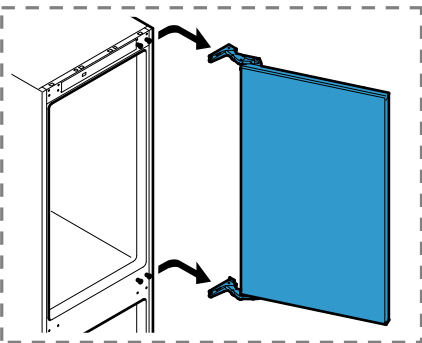
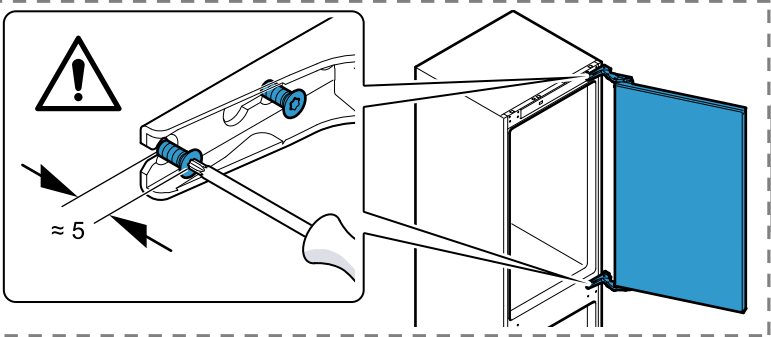
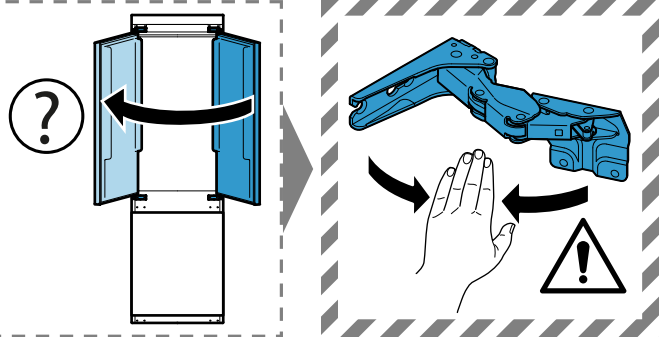
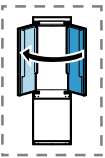


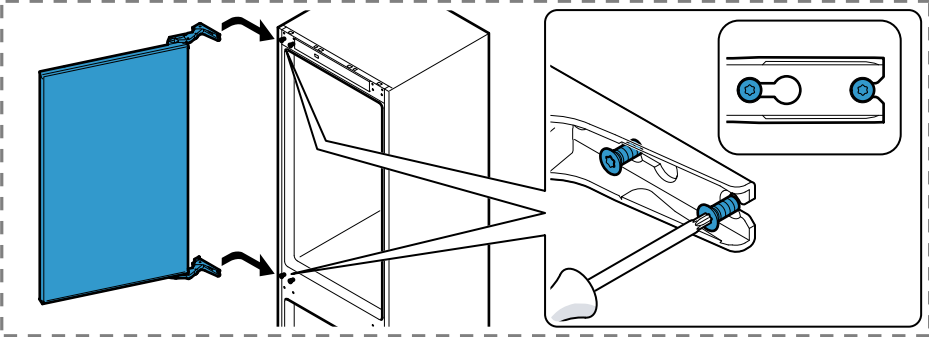
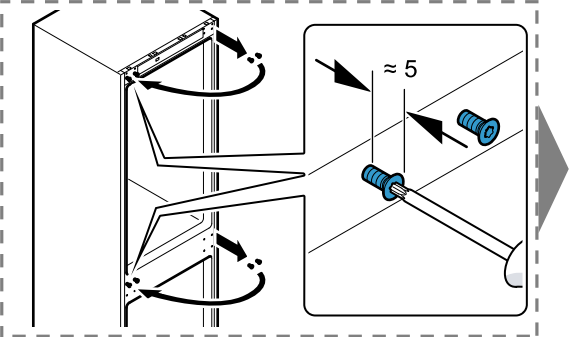
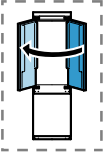
+





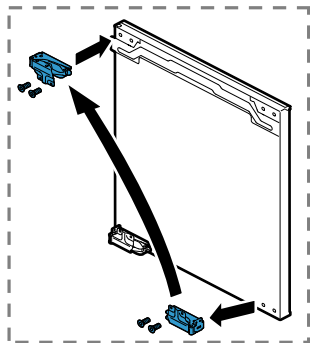
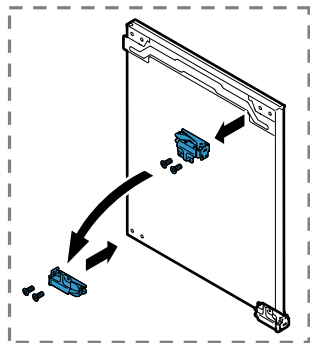
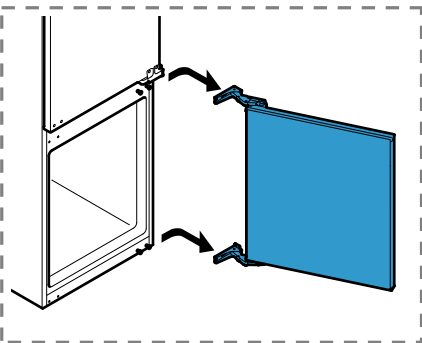
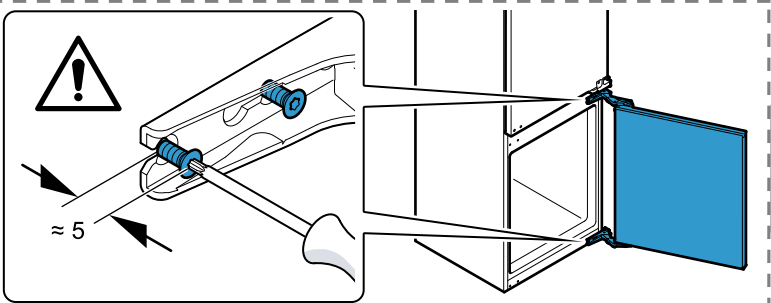
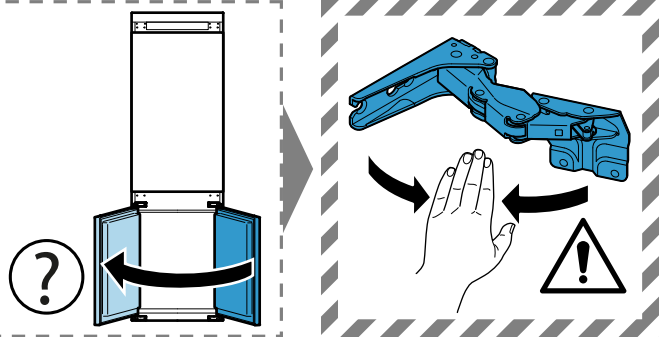
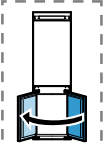


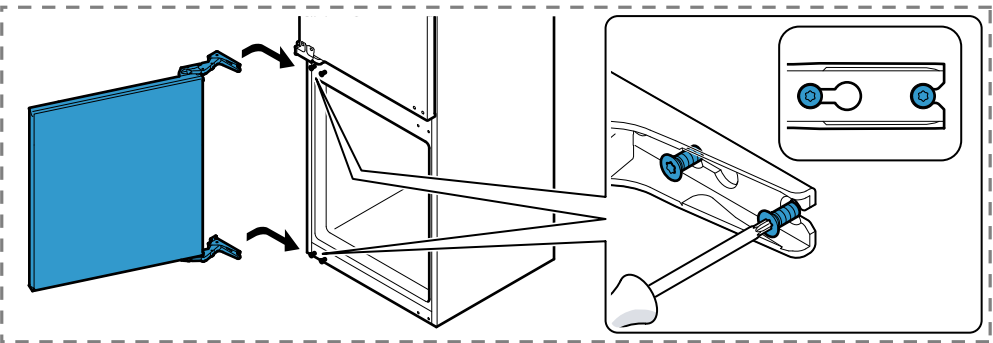
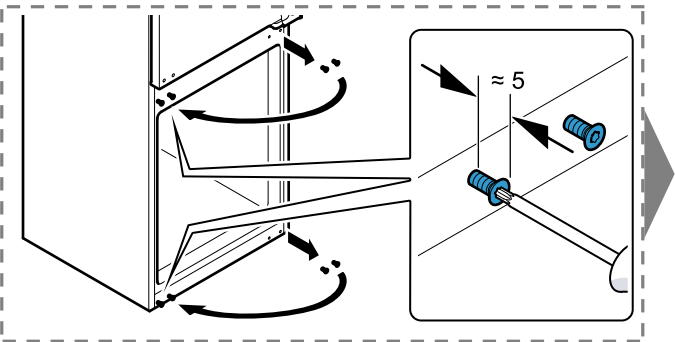
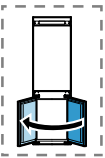




Torx  
T 20

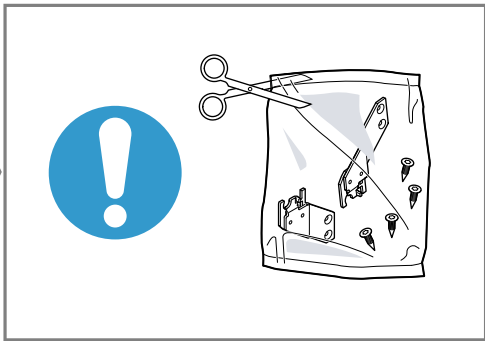
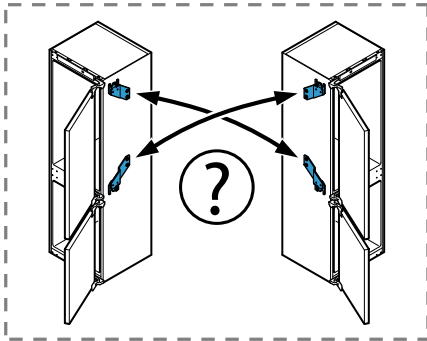
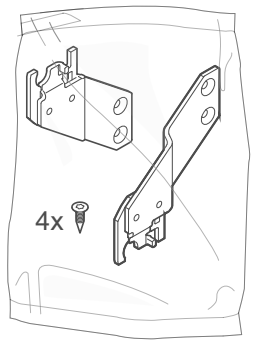




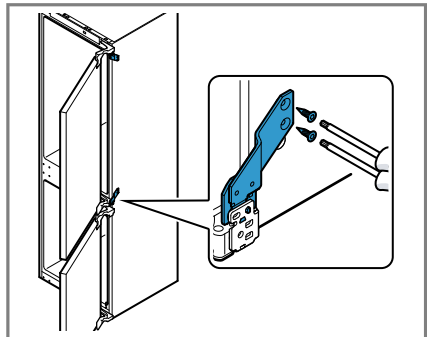
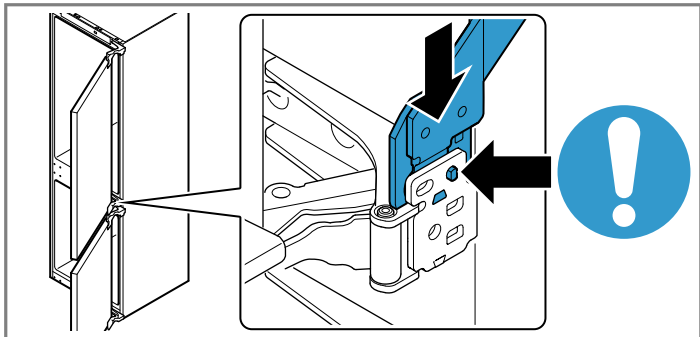
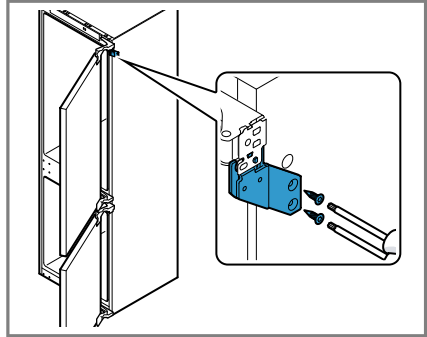
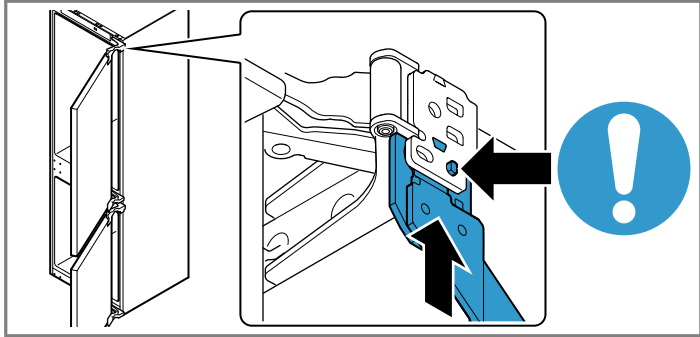
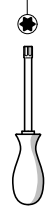


Torx  
T 20

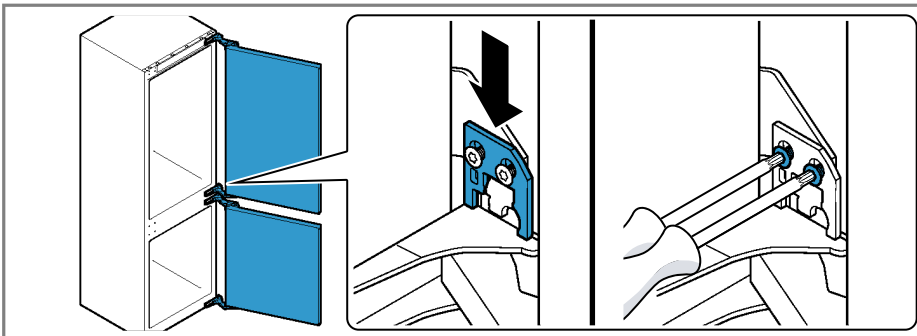
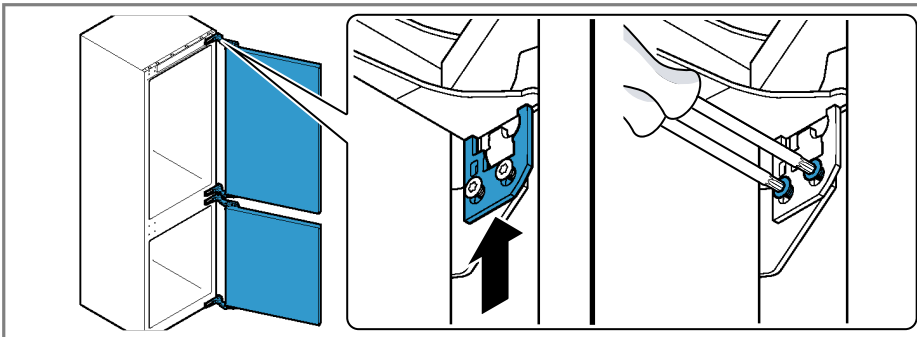




Torx  
T 20

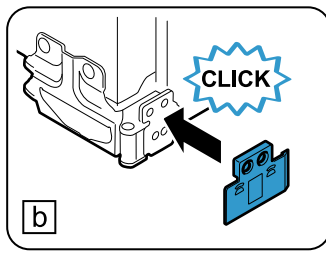
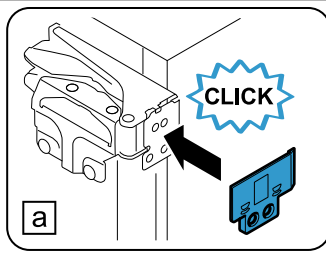
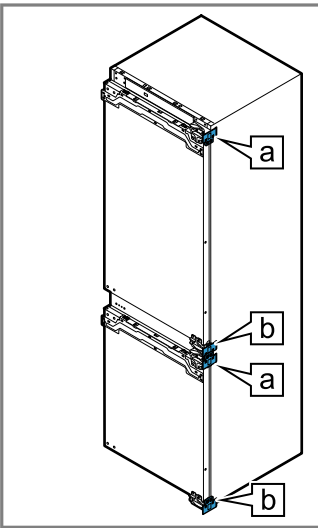
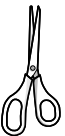
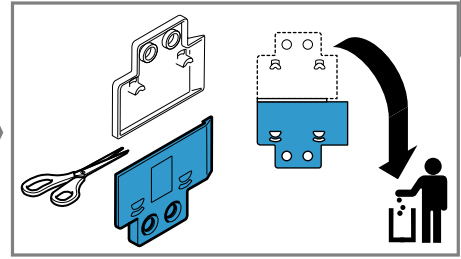
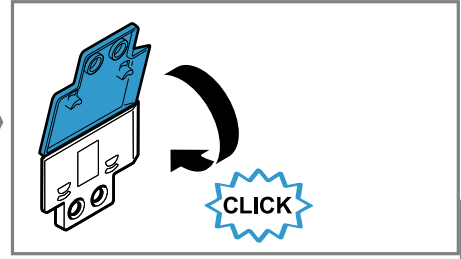
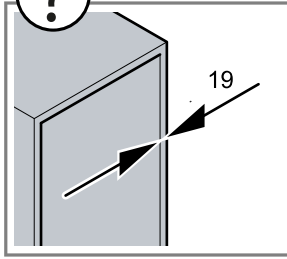
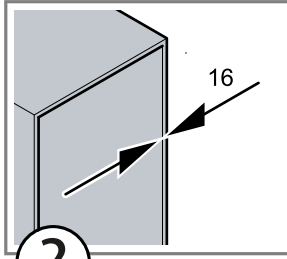
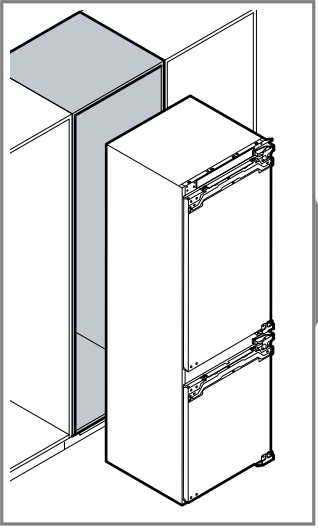


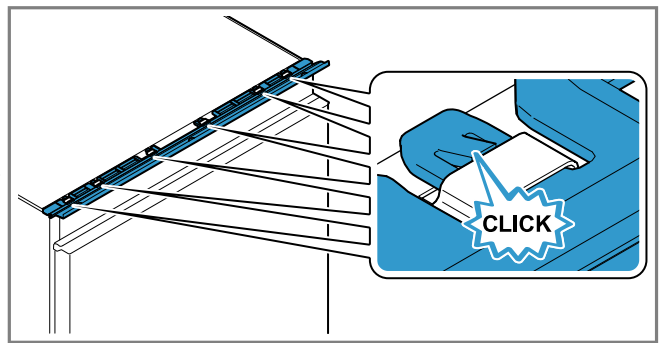
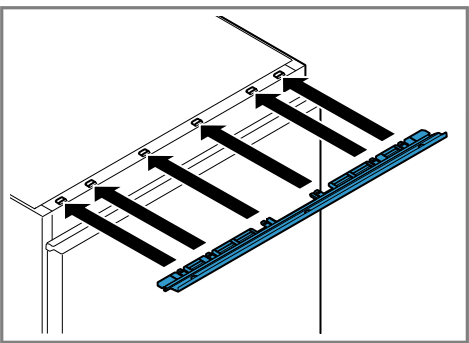
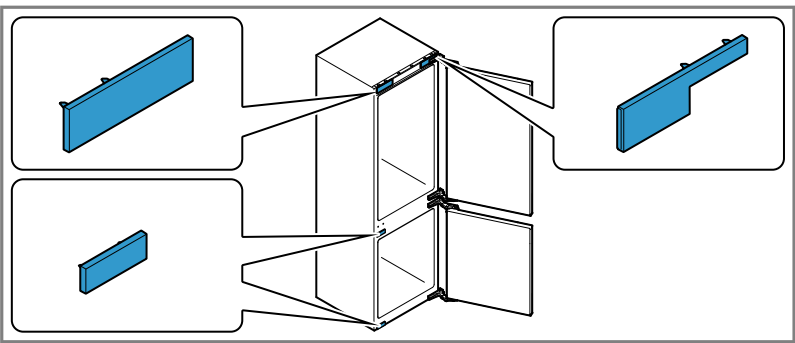
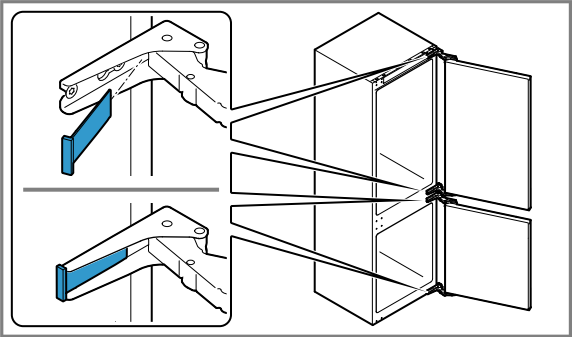
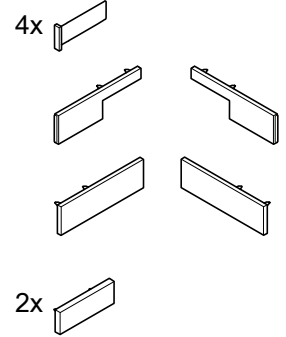




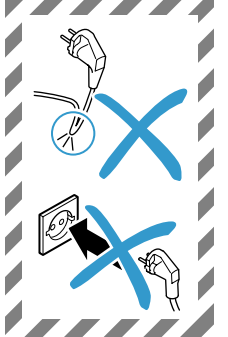
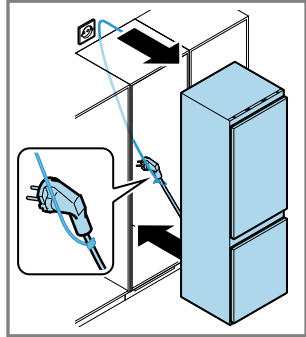
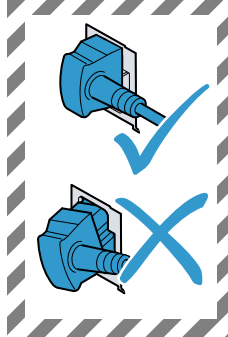
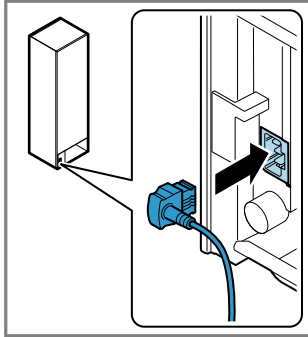
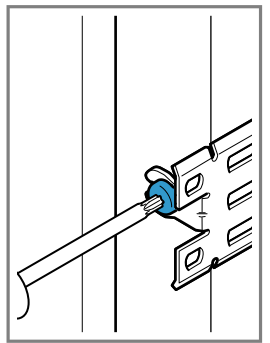
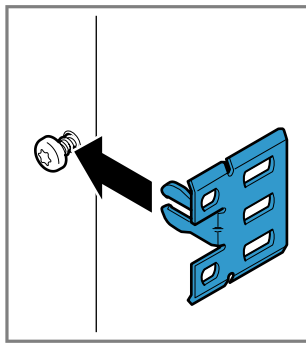
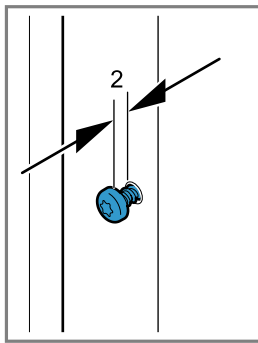
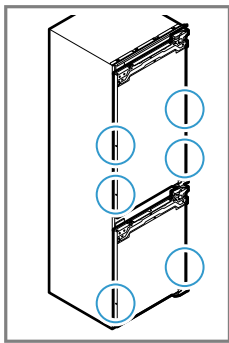
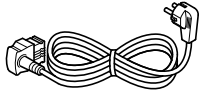
Torx  
T 20



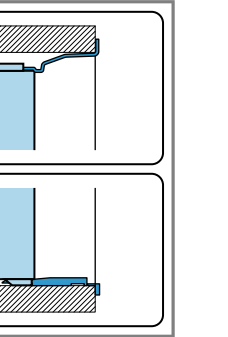
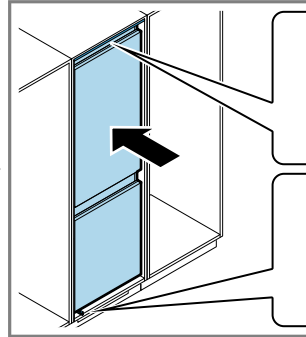
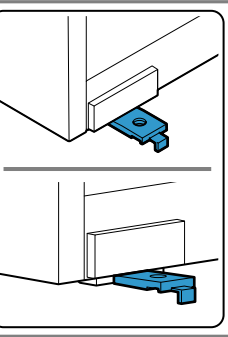
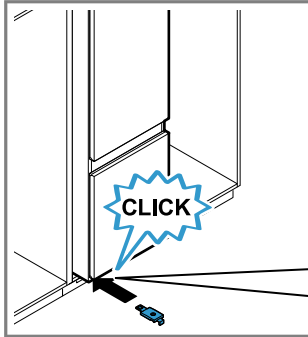




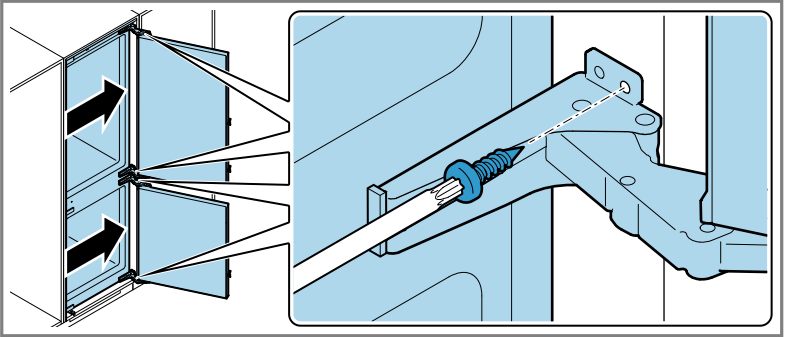
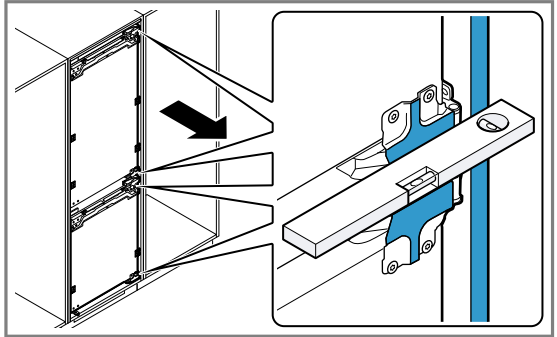
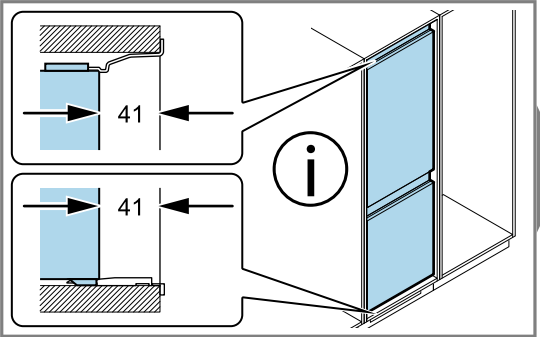
6x



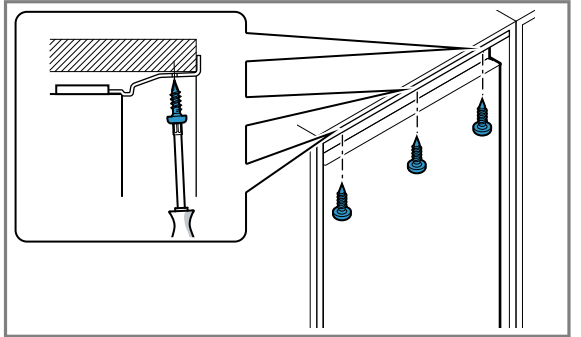
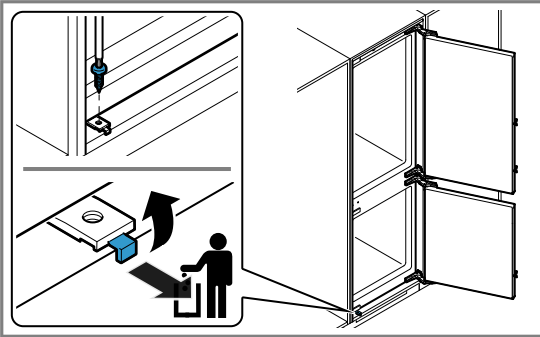
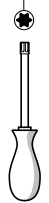
Torx  
T 20



8x

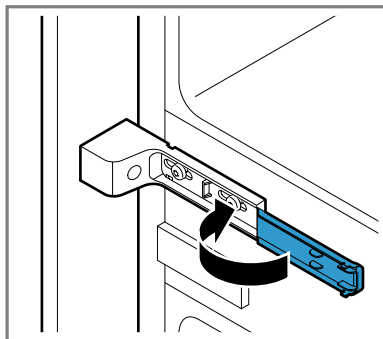
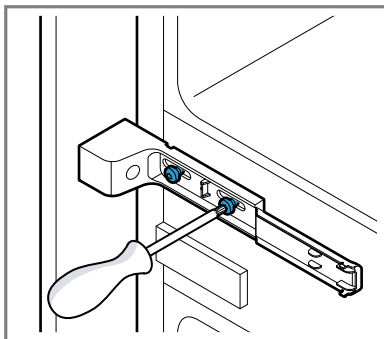
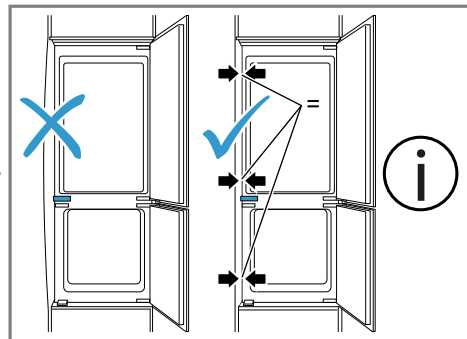
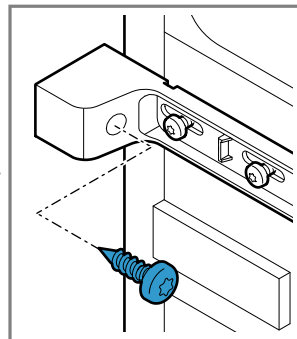
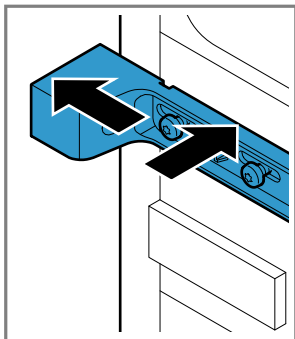
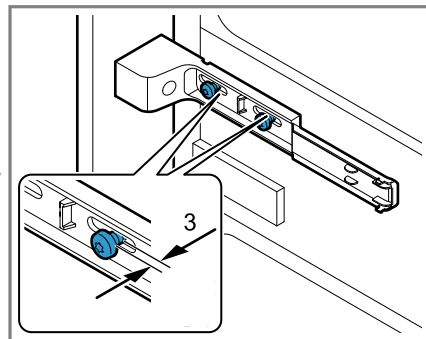
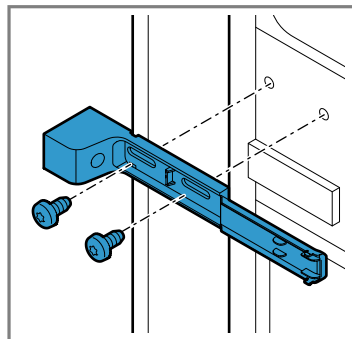
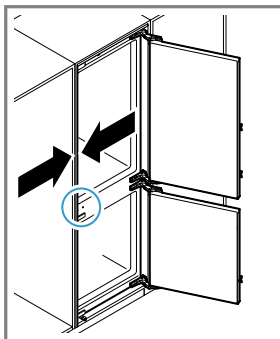
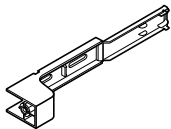


Torx  
T 20



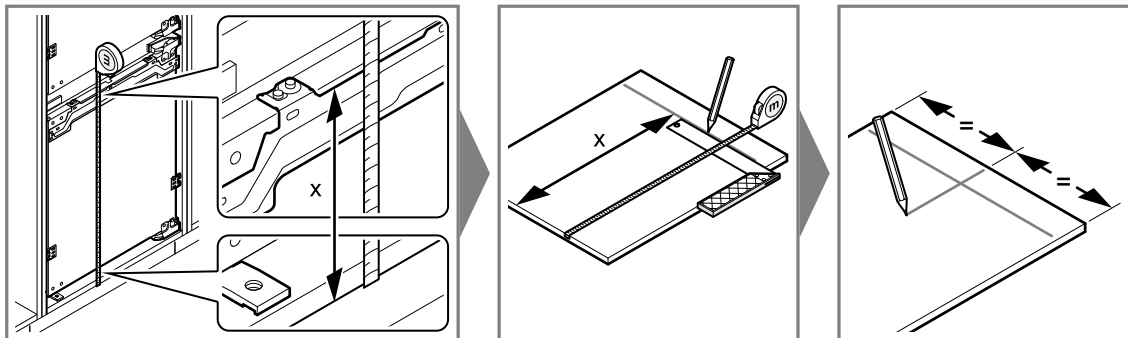
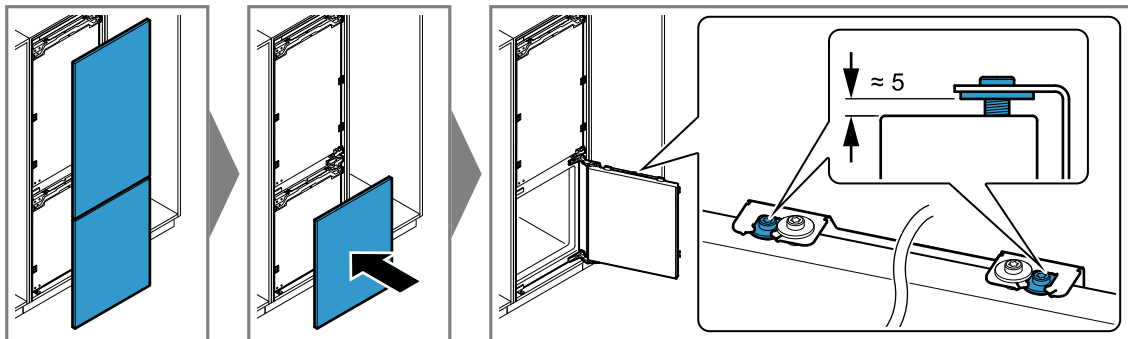


2x

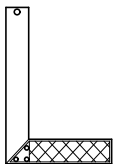


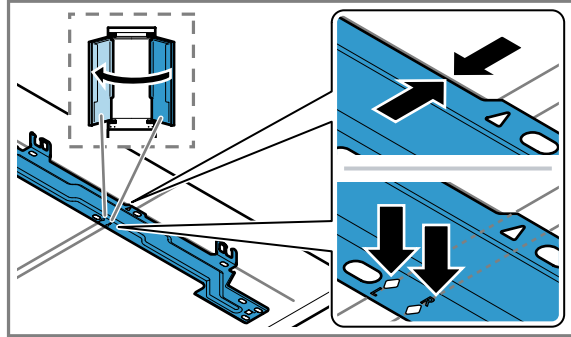
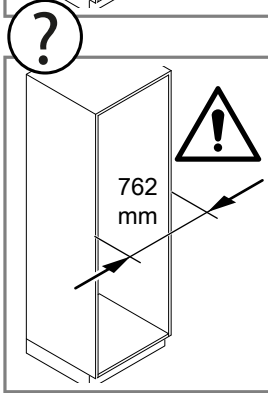
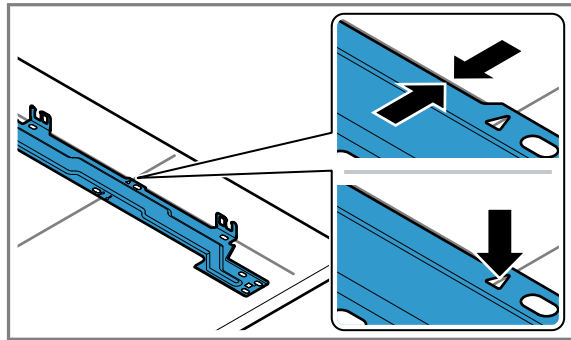
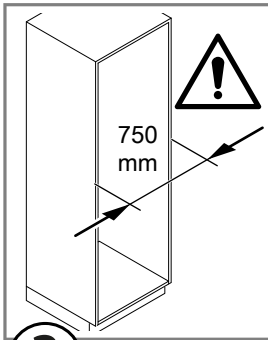
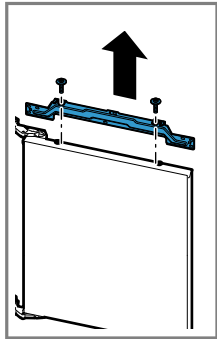
Torx  
T 20





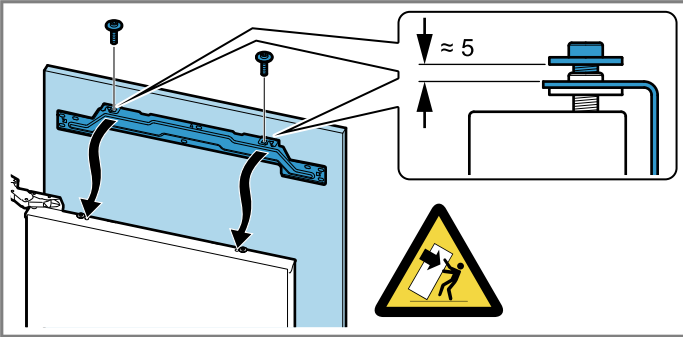
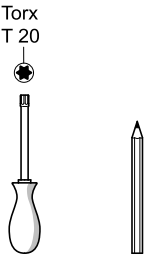
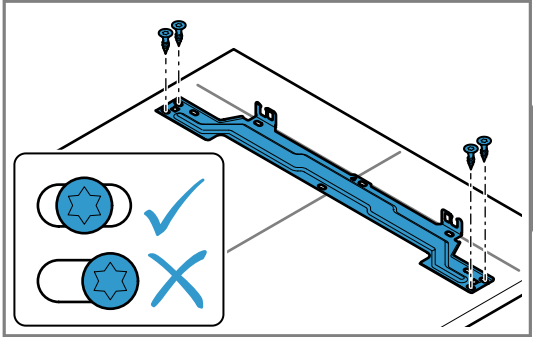
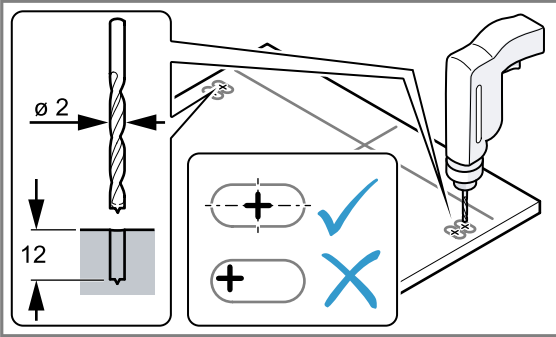
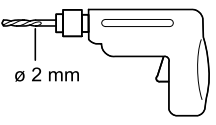
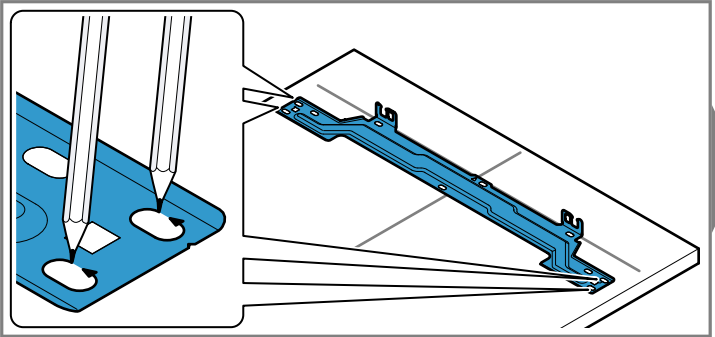
Torx  
T 20

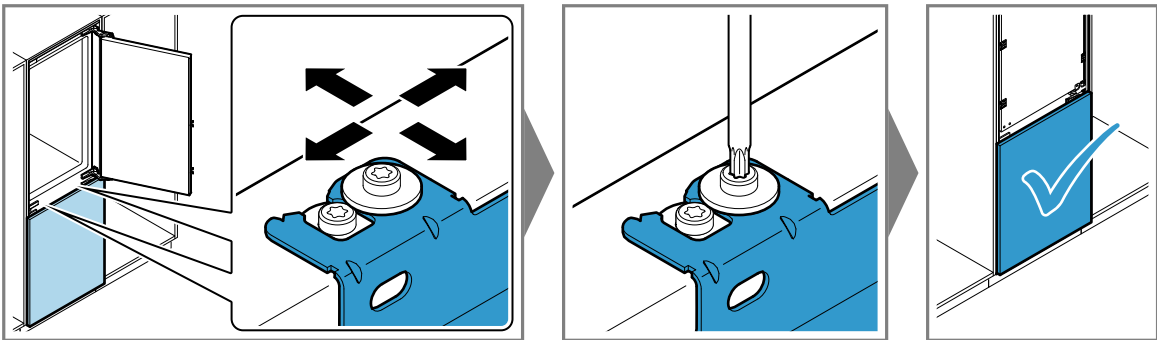
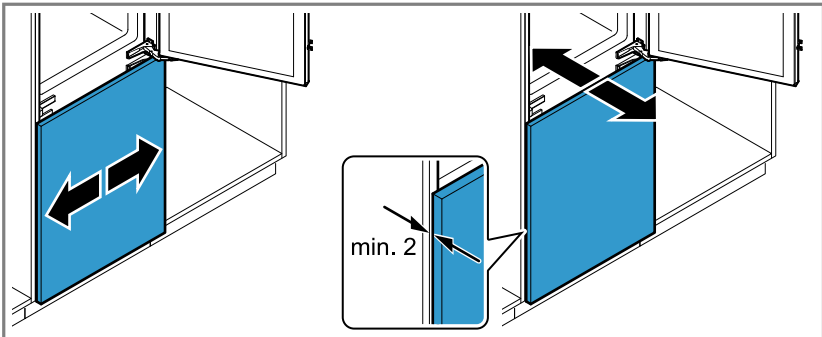
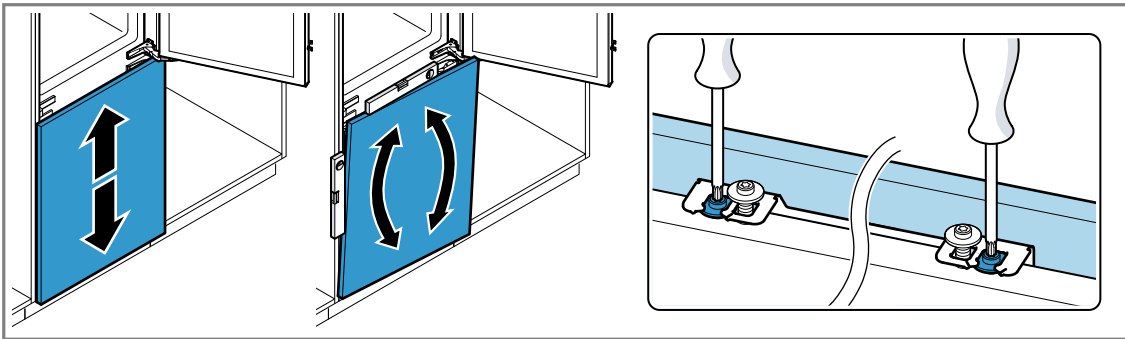






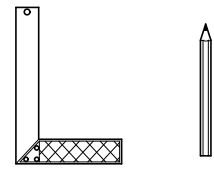
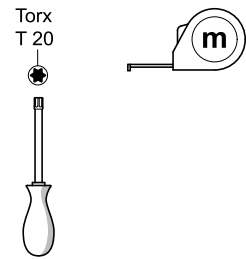
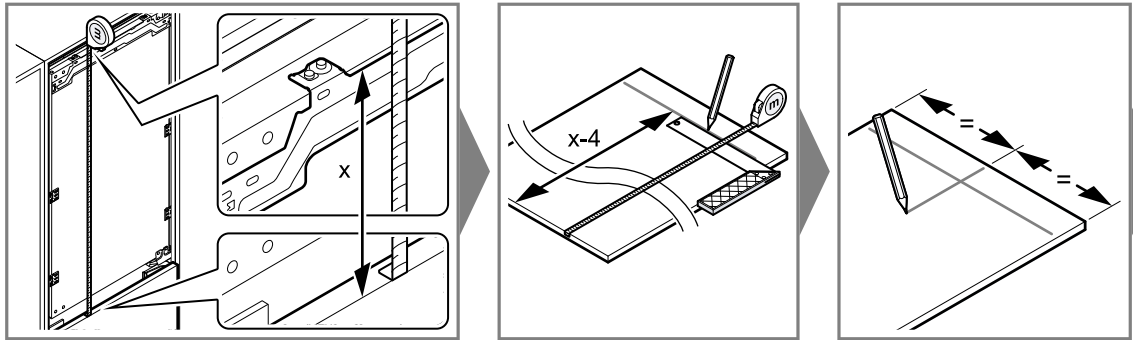
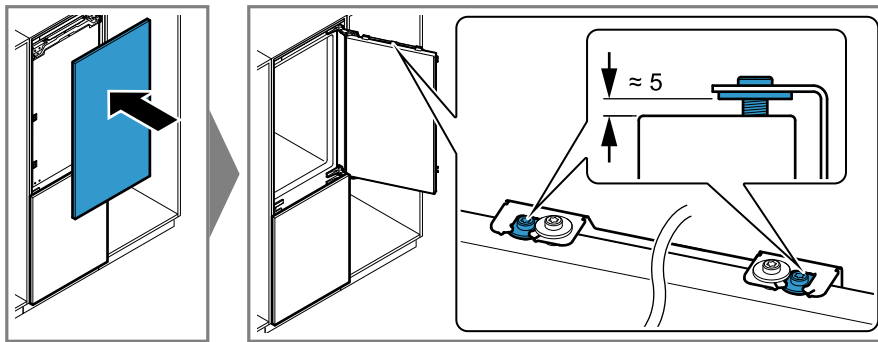
4x 

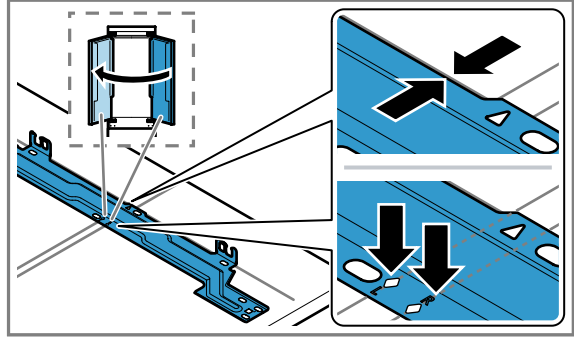
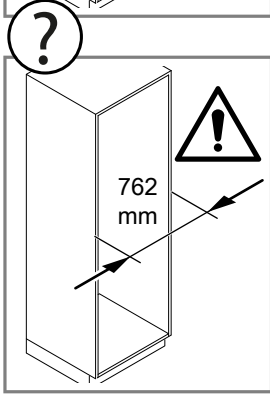
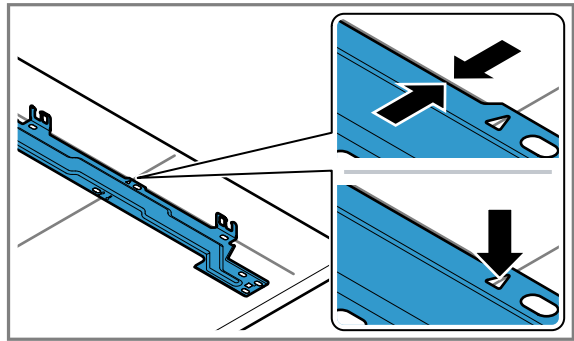
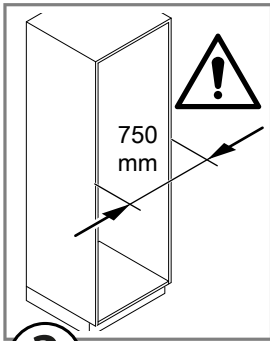
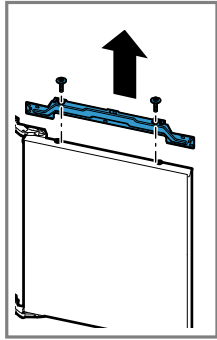




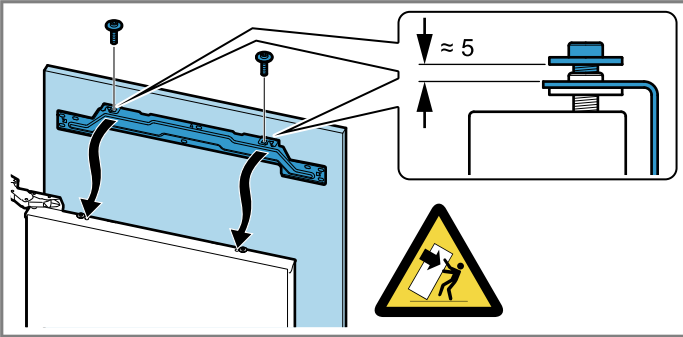
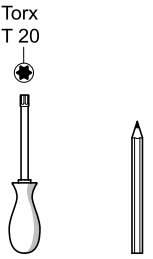
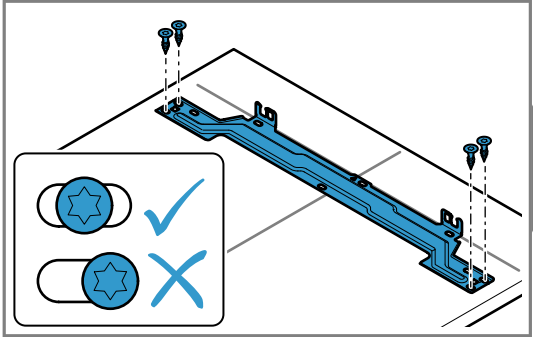
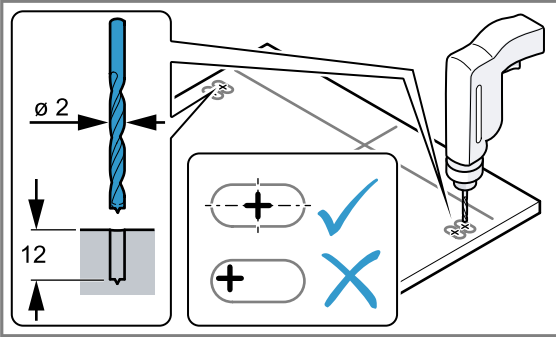
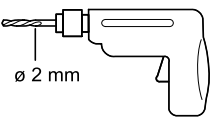
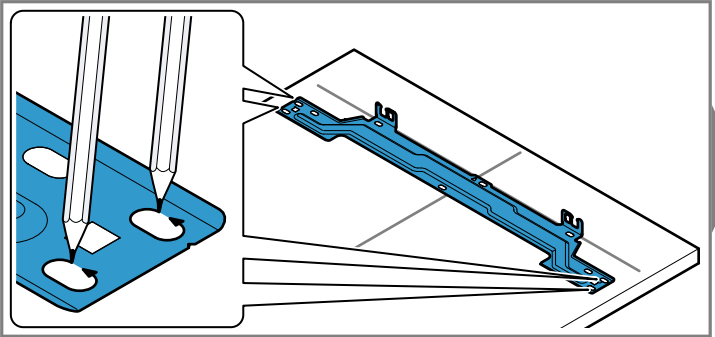
Torx  
T 20

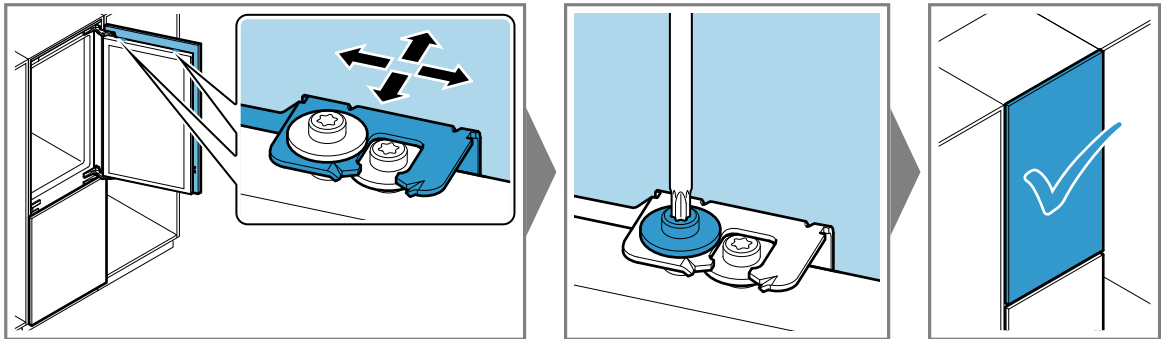
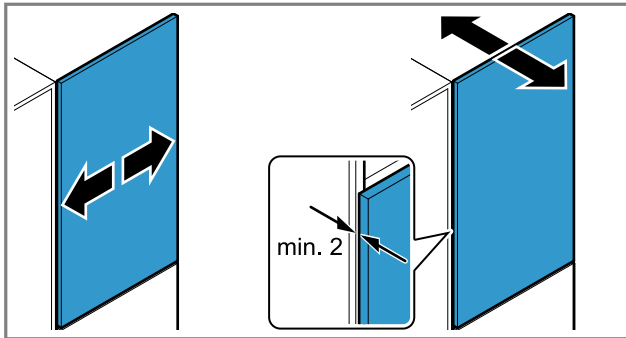
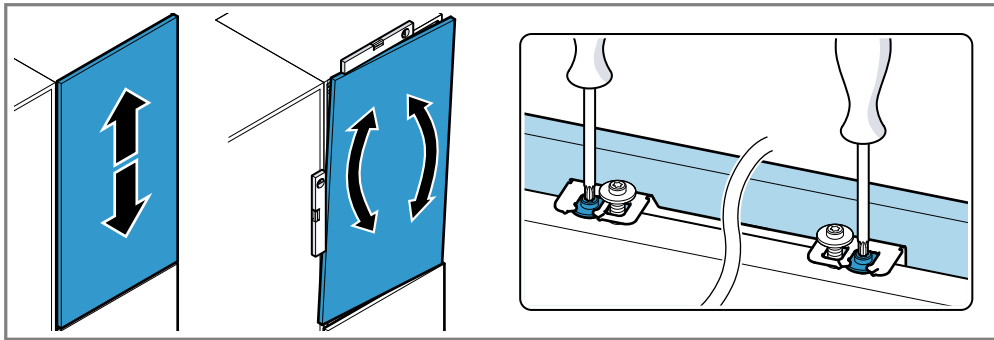






4x 

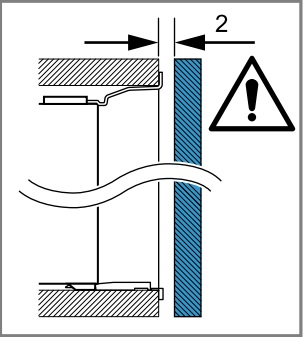
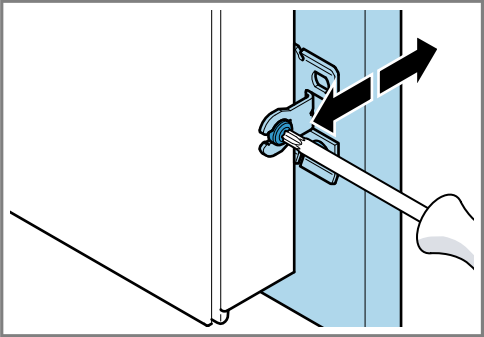
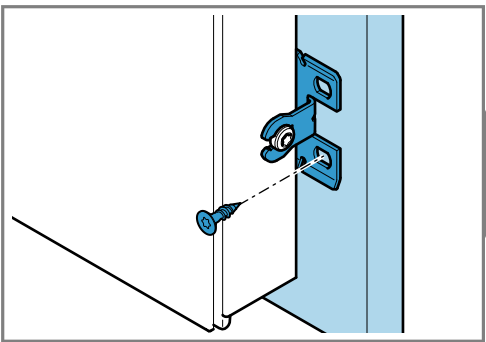
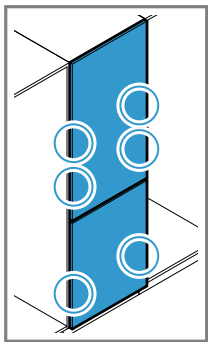
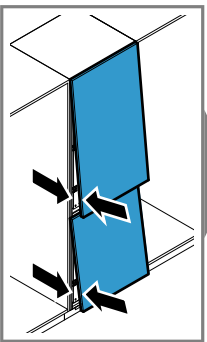




Torx  
T 20

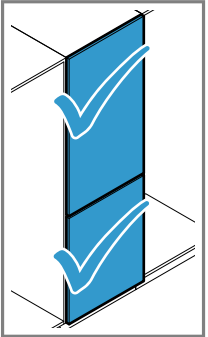
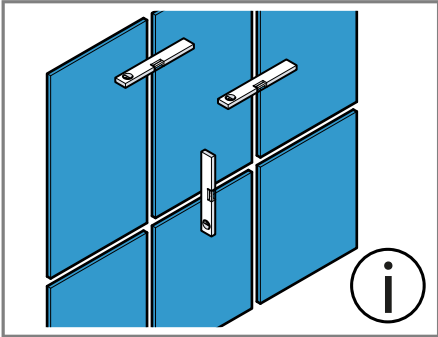
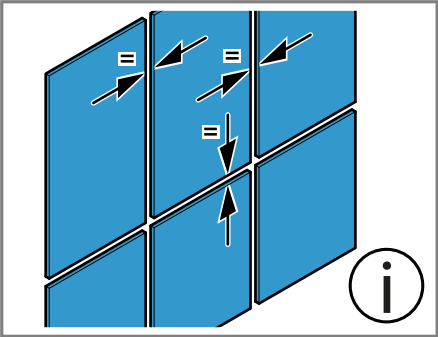


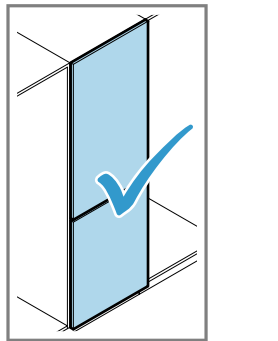
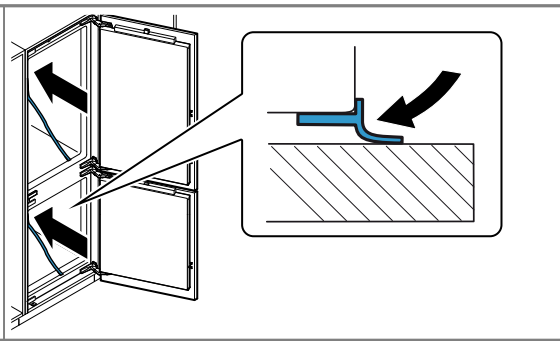
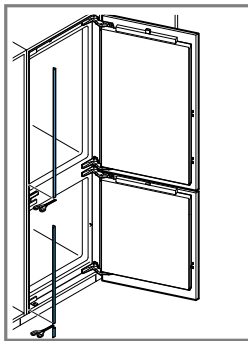
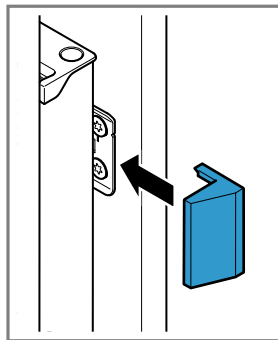
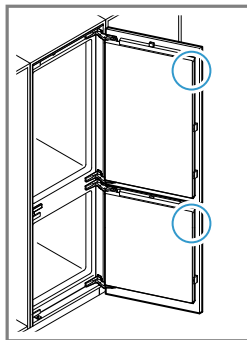
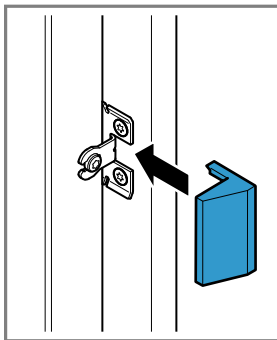
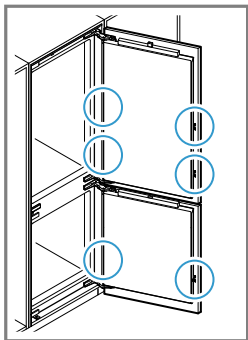
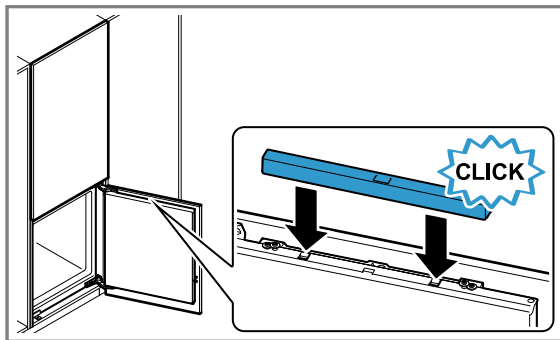
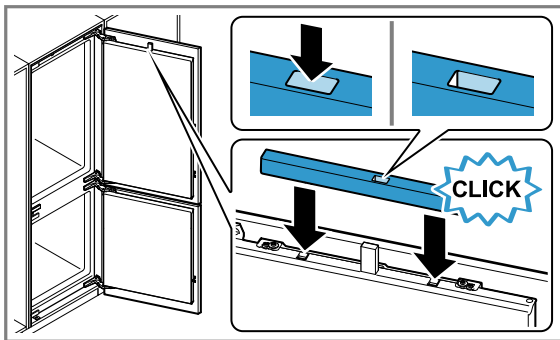
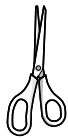
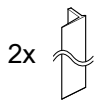
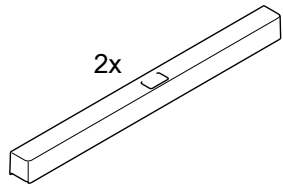
6x



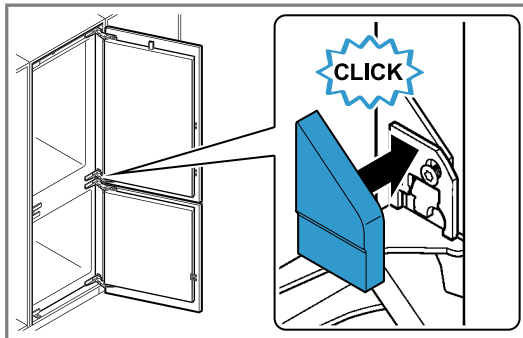
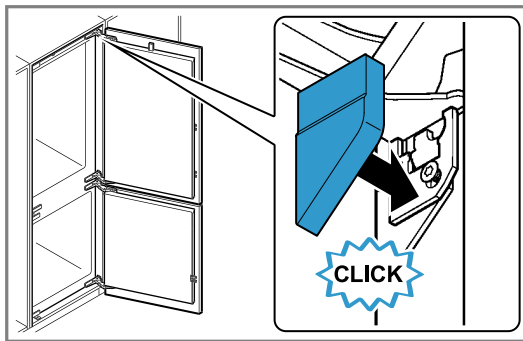
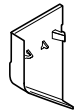
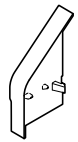
Torx

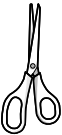
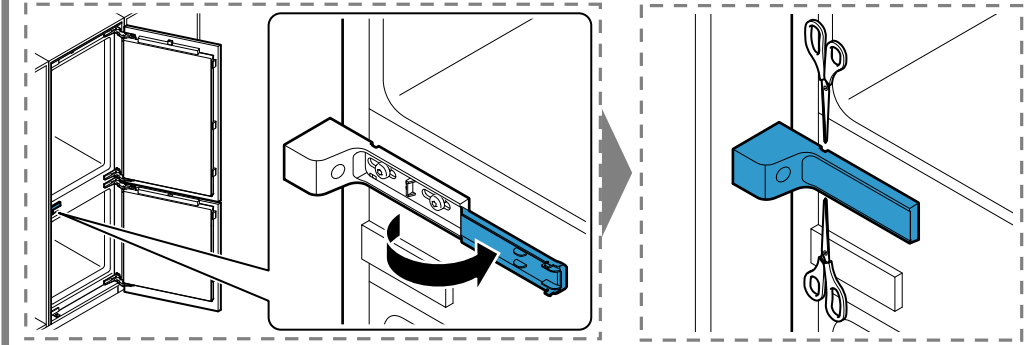
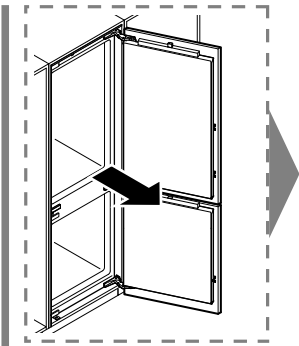
T 20













A series of horizontal lines for writing, starting from a vertical margin line on the left and extending across the page.



A series of horizontal lines for writing, starting from the top of the page and extending to the bottom. A thick vertical line is on the left side, creating a margin.